

Presence detector - Professional Line

# HF 360

COM2

EAN 4007841 002848



high frequency  
sensor 360°



max. Ø 12 m

2000w

2000 W max.  
(LED-ready)



IP20



ideal 2,5 - 3,5 m



indoor sensor

iQ

iQ-mode

TEACH

Teach mode



energy saving

5 JAHRE  
HERSTELLER  
GARANTIE

manufacturer's  
warranty  
[steinel-professional.de/garantie](http://steinel-professional.de/garantie)

## Function description

Doesn't miss a thing. HF-presence detector Presence Control PRO HF 360 COM2 for indoors, ideal for WCs with toilet cubicles, changing rooms, stairwells, multi-storey car parks, kitchens, installation height up to 3.5 m, for switching light as well as HVAC 'ON' and 'OFF', 1 – 12 m reach, reach is electronically adjustable and can be limited in two directions, detection regardless of temperature, HF-sensor technology also detects movement through glass, wood and stud walls.

# HF 360

COM2

EAN 4007841 002848

## Technical specifications

Type	Presence detector	Twilight setting TEACH	Yes
Dimensions (L x W x H)	56 x 120 x 120 mm	Twilight setting	10 – 1000 lx
Mains power supply	230 V / 50 – 60 Hz	Time setting	30 s – 30 Min.
Sensor Technology	High frequency	Constant-lighting control	No
Application, place	Indoors	Basic light level function	No
Installation site	ceiling	Functions	Normal / test mode, Semi-/fully automatic, Pushbutton / switch mode, Manual ON / ON-OFF
Installation	Concealed wiring	Settings via	Remote control, DIP switches, Potentiometers, Smart Remote
Mounting height	2,50 – 3,50 m	With remote control	No
Reach, radial	Ø 12 m (113 m <sup>2</sup> )	Interconnection	Yes
Reach, tangential	Ø 12 m (113 m <sup>2</sup> )	Type of interconnection	Master/master, Master/slave
Reach, detail	1 or 2 detection directions can be masked out by stickers for adjustment to the room situation.	IP-rating	IP20
HF-system	5,8 GHz	Material	Plastic
Detection angle	360 °	Ambient temperature	-25 – 55 °C
Angle of aperture	140 °	Application, room	function room / ancillary room, kitchenette, stairwell, WC / washroom, Indoors
Optimum mounting height	2,8 m	Colour	white
Mechanical scalability	No	Colour, RAL	9010
Sneak-by guard	Yes	Manufacturer's Warranty	5 years
Capability of masking out individual segments	Yes	Version	COM2
Electronic scalability	Yes	PU1, EAN	4007841002848
Detection	also through glass, wood and stud walls		

## Accessories

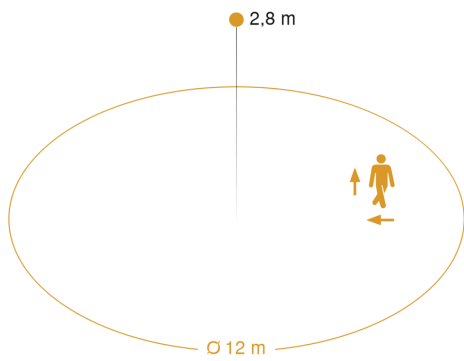
EAN 4007841 000363	Surface-mounting adapter Control PRO AP Box (IP54)
EAN 4007841 003036	Control PRO guard cage
EAN 4007841 006600	HF-ceiling adapter
EAN 4007841 009151	Remote control Smart Remote
EAN 4007841 559410	Service remote control RC8

# HF 360

COM2

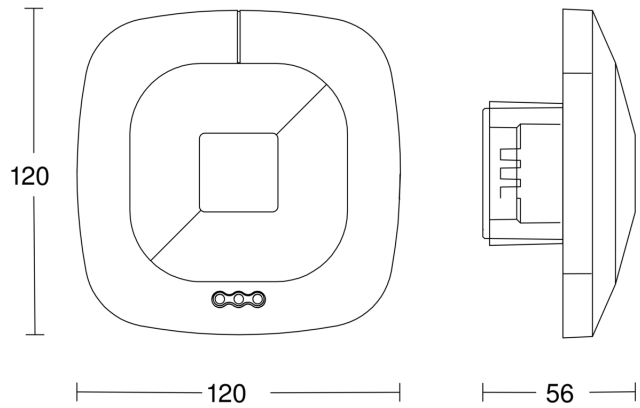
EAN 4007841 002848

## Detection Zone

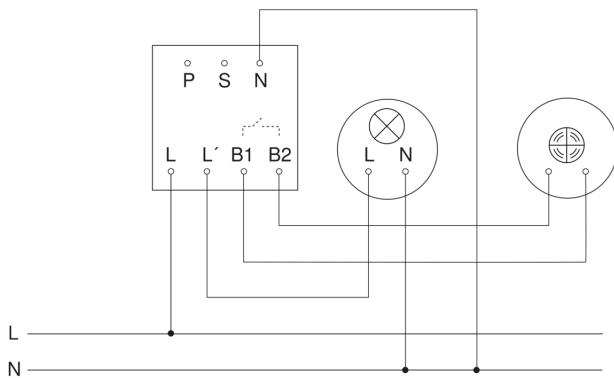


Mögliche Montagehöhe: 2,50 m – 3,50 m  
Orange: radial und tangential

## Dimension Drawing



## Master circuit diagram



## Master/slave interconnection circuit diagram

