

HF 360

DALI-2 Application Controller
EAN 4007841 002817



high frequency
sensor 360°



max. Ø 12 m



IP20



ideal 2,5 - 3,5 m



indoor sensor



iQ-mode

TEACH

Teach mode



energy saving

5 JAHRE
HERSTELLER
GARANTIE

Hersteller-Garantie

manufacturer's
warranty
[steinel-professional.de/garantie](https://www.steinel-professional.de/garantie)



CE

Function description

Doesn't miss a thing. HF-presence detector Presence Control PRO HF 360 DALI-2 Application Controller for indoors, ideal for WCs with toilet cubicles, changing rooms, stairwells, multi-storey car parks, kitchens, installation height up to 3.5 m, with digital DALI-2 Application Controller interface for controlling 2 lighting channels, 1 – 12 m reach, reach is electronically adjustable and can be limited in two directions, detection regardless of temperature, HF-sensor technology also detects movement through glass, wood and stud walls.

HF 360

DALI-2 Application Controller
EAN 4007841 002817

Technical specifications

Type	Presence detector	Twilight setting	10 – 1000 lx
Dimensions (L x W x H)	36 x 120 x 120 mm	Time setting	30 s – 30 Min.
Mains power supply	230 V / 50 – 60 Hz	Control output, Dali	Broadcast 2x12 electronic ballasts
Sensor Technology	High frequency	Constant-lighting control	Yes
Application, place	Indoors	Basic light level function	Yes
Application, place, room	function room / ancillary room, kitchenette, stairwell, WC / washroom, Indoors	Basic light level function in per cent	10 – 60 %
Installation site	ceiling	Basic light level function time	1-60 min, all night
Installation	Concealed wiring	Basic light level function percentage, from	10 %
HF-system	5,8 GHz	Basic light level function percentage, up to	60 %
Electronic scalability	Yes	Functions	Normal / test mode, Semi-/fully automatic, Pushbutton / switch mode, Manual ON / ON-OFF, Constant-lighting control ON-OFF
Mechanical scalability	No	Settings via	Remote control, DIP switches, Potentiometers, Smart Remote
Mounting height	2,50 – 3,50 m	With remote control	No
Optimum mounting height	2,8 m	Interconnection	Yes
Detection	also through glass, wood and stud walls	Type of interconnection	Master/slave
Detection angle	360 °	IP-rating	IP20
Angle of aperture	160 °	Material	Plastic
Sneak-by guard	Yes	Ambient temperature	-25 – 55 °C
Capability of masking out individual segments	Yes	Colour	white
Reach, detail	1 or 2 detection directions can be masked out by stickers for adjustment to the room situation.	Colour, RAL	9010
Reach, radial	Ø 12 m (113 m ²)	Manufacturer's Warranty	5 years
Reach, tangential	Ø 12 m (113 m ²)	Version	DALI-2 Application Controller
Twilight setting TEACH	Yes	PU1, EAN	4007841002817

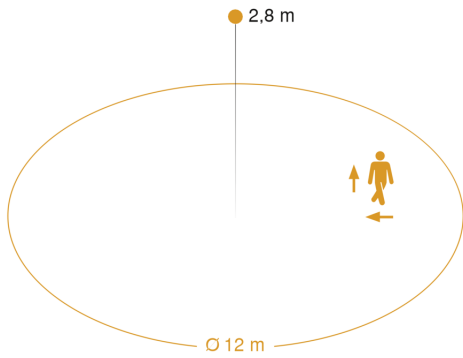
Accessories

EAN 4007841 006600	HF-ceiling adapter
EAN 4007841 592806	User remote control RC5
EAN 4007841 009151	Remote control Smart Remote
EAN 4007841 000363	Surface-mounting adapter Control PRO AP Box (IP54)
EAN 4007841 003036	Control PRO guard cage
EAN 4007841 559410	Service remote control RC8

HF 360

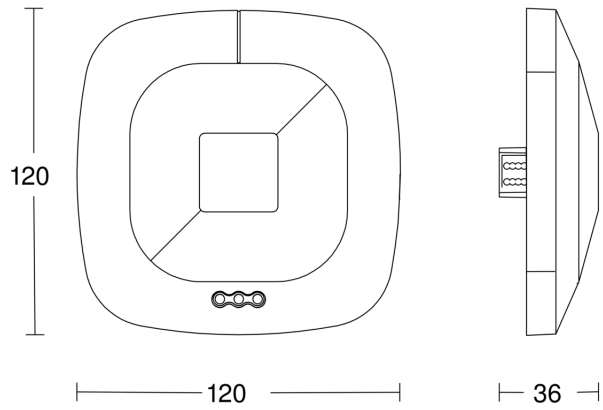
DALI-2 Application Controller
EAN 4007841 002817

Detection Zone

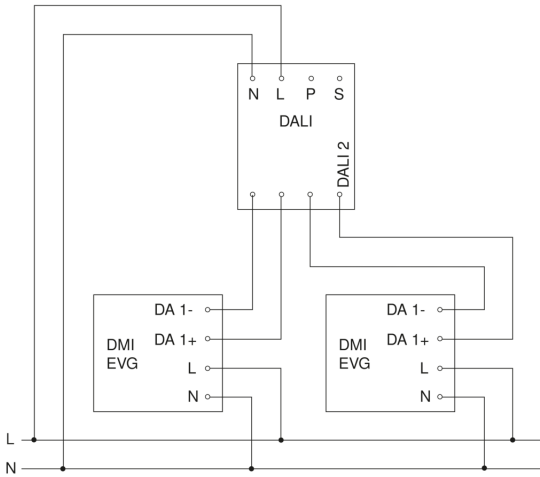


Mögliche Montagehöhe: 2,50 m – 3,50 m
Orange: radial und tangential

Dimension Drawing



Master circuit diagram



Master/slave interconnection circuit diagram

