

Presence detector - Professional Line

HF 360

DIM

EAN 4007841 002831



high frequency
sensor 360°



max. Ø 12 m

DIM

1 - 10 V

2000w

max. 2000 W



IP20



ideal 2,5 - 3,5 m



indoor sensor

iQ

iQ-mode

TEACH

Teach mode



energy saving

Function description

Doesn't miss a thing. HF-presence detector Presence Control PRO HF 360 DIM for indoors, ideal for WCs with toilet cubicles, changing rooms, stairwells, multi-storey car parks, kitchens, installation height up to 3.5 m, for controlling and switching light 'ON' and 'OFF', 1 – 12 m reach, reach is electronically adjustable and can be limited in two directions, detection regardless of temperature, HF-sensor technology also detects movement through glass, wood and stud walls.

HF 360

DIM

EAN 4007841 002831



Technical specifications

Type	Presence detector	Reach, tangential	Ø 12 m (113 m ²)
Dimensions (L x W x H)	56 x 120 x 120 mm	Twilight setting TEACH	Yes
Mains power supply	230 V / 50 – 60 Hz	Twilight setting	100 – 1000 lx
Sensor Technology	High frequency	Time setting	30 s – 30 Min.
Application, place	Indoors	Number of electronic ballasts, DIM interface	50
Application, place, room	function room / ancillary room, kitchenette, stairwell, WC / washroom, Indoors	Constant-lighting control	Yes
Installation site	ceiling	Basic light level function	Yes
Installation	Concealed wiring	Functions	Normal / test mode, Semi-/fully automatic, Pushbutton / switch mode, Manual ON / ON-OFF, Constant-lighting control ON-OFF
HF-system	5,8 GHz	Settings via	Remote control, DIP switches, Potentiometers, Smart Remote
Electronic scalability	Yes	With remote control	No
Mechanical scalability	No	Interconnection	Yes
Mounting height	2,50 – 3,50 m	Type of interconnection	Master/slave, Master/master
Optimum mounting height	2,8 m	IP-rating	IP20
Detection	also through glass, wood and stud walls	Material	Plastic
Detection angle	360 °	Ambient temperature	-25 – 55 °C
Angle of aperture	160 °	Colour	white
Sneak-by guard	Yes	Colour, RAL	9010
Capability of masking out individual segments	Yes	Manufacturer's Warranty	5 years
Reach, detail	1 or 2 detection directions can be masked out by stickers for adjustment to the room situation.	Version	DIM
Reach, radial	Ø 12 m (113 m ²)	PU1, EAN	4007841002831

Accessories

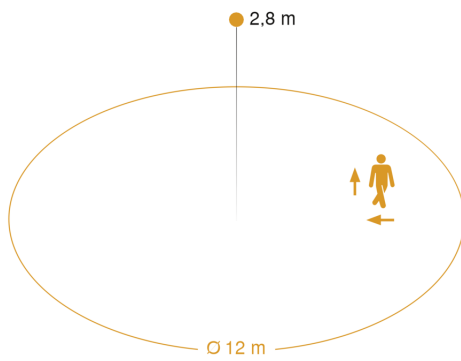
EAN 4007841 006600	HF-ceiling adapter
EAN 4007841 009151	Remote control Smart Remote
EAN 4007841 000363	Surface-mounting adapter Control PRO AP Box (IP54)
EAN 4007841 003036	Control PRO guard cage
EAN 4007841 592806	User remote control RC5
EAN 4007841 559410	Service remote control RC8

HF 360

DIM

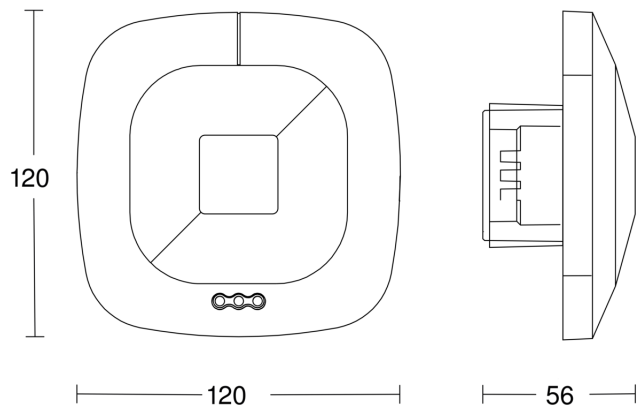
EAN 4007841 002831

Detection Zone

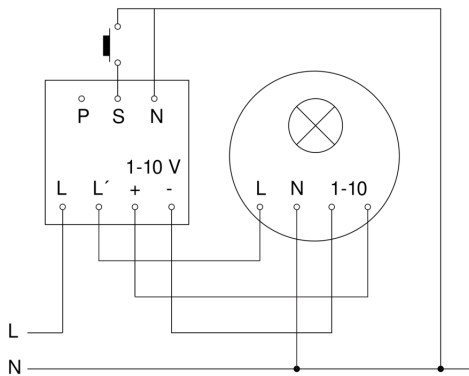


Mögliche Montagehöhe: 2,50 m – 3,50 m
Orange: radial und tangential

Dimension Drawing



Master circuit diagram



Master/slave interconnection circuit diagram

