

Presence detector - Professional Line

IR Quattro

DIM

EAN 4007841 002718



infrared sensor
360°



max. 4 x 4 m
presence

DIM

1 - 10 V

2000w

max. 2000 W



IP20



ideal 2,5 - 8 m



indoor sensor

iQ

iQ-mode

TEACH

Teach mode



energy saving

Function description

Squaring the circle. Infrared presence detector Presence Control PRO IR Quattro DIM for indoors, ideal for small offices, store, service and utility rooms, washrooms and WCs, installation height up to 8 m, for controlling and switching light 'ON' and 'OFF', 1760 switching zones for excellent detection quality, square presence detection zone covering 16 m², mechanically scalable.

IR Quattro

DIM

EAN 4007841 002718



Technical specifications

Type	Presence detector
Dimensions (L x W x H)	76 x 120 x 120 mm
Mains power supply	230 V / 50 – 60 Hz
Sensor Technology	passive infrared
Application, place	Indoors
Application, place, room	one-person office, conference room / meeting room, duty room, recreation room, changing room, function room / ancillary room, kitchenette, Indoors
Installation site	ceiling
Installation	Concealed wiring
Switching zones	1760 switching zones
Electronic scalability	No
Mechanical scalability	Yes
Mounting height	2,50 – 8,00 m
Optimum mounting height	2,8 m
Detection angle	360 °
Sneak-by guard	Yes
Capability of masking out individual segments	No
Reach, radial	5 x 5 m (25 m ²)
Reach, tangential	7 x 7 m (49 m ²)
Reach, presence	4 x 4 m (16 m ²)

Twilight setting TEACH	Yes
Twilight setting	100 – 1000 lx
Time setting	30 s – 30 Min.
Number of electronic ballasts, DIM interface	50
Constant-lighting control	Yes
Basic light level function	Yes
Functions	Normal / test mode, Semi-/fully automatic, Pushbutton / switch mode, Manual ON / ON-OFF, Constant-lighting control ON-OFF
Settings via	Remote control, DIP switches, Potentiometers, Smart Remote
With remote control	No
Interconnection	Yes
Type of interconnection	Master/slave, Master/master
IP-rating	IP20
Material	Plastic
Ambient temperature	-25 – 55 °C
Colour	white
Colour, RAL	9010
Manufacturer's Warranty	5 years
Version	DIM
PU1, EAN	4007841002718

Accessories

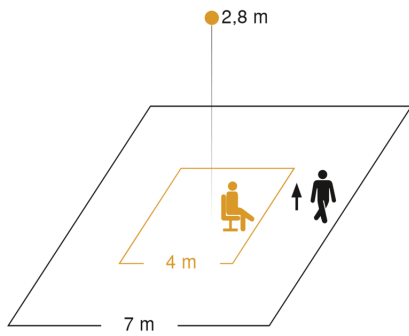
EAN 4007841 000363	Surface-mounting adapter Control PRO AP Box (IP54)
EAN 4007841 003036	Control PRO guard cage
EAN 4007841 009151	Remote control Smart Remote
EAN 4007841 592806	User remote control RC5
EAN 4007841 559410	Service remote control RC8

IR Quattro

DIM

EAN 4007841 002718

Detection Zone

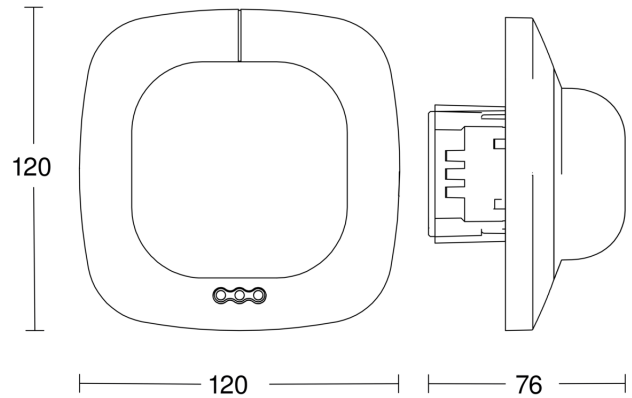


Mögliche Montagehöhe: 2,50 m – 8,00 m

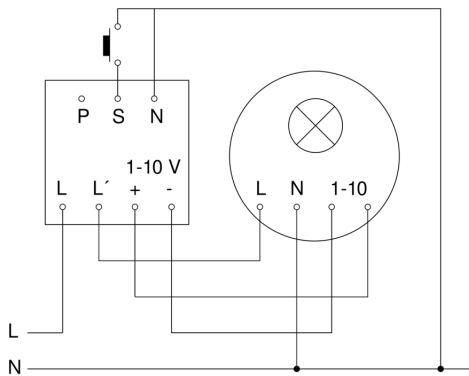
Orange: Präsenz

Schwarz: tangential

Dimension Drawing



Master circuit diagram



Master/slave interconnection circuit diagram

