

# IR Quattro HD 24m

COM1 - surface white  
 EAN 4007841 592400  
 Article number 592400



infrared sensor  
360°



max. 8 x 8 m  
presence

HD

4800 zones

2000 W

2000 W max. (LED-ready)



ideal 2,5 - 10 m



indoor sensor

iQ

iQ-mode



energy saving

5 years

manufacturer's  
warranty steinel-  
professional.de/  
garantie



CE

## Function description

Detection no finer! Infrared presence detector Presence Control PRO IR Quattro HD COM1 AP for indoors, ideal for medium to large-size offices, conference and meeting rooms, classrooms and lecture theatres, sports halls and warehouses, installation height up to 10 m, surface-mounting version for switching light 'ON' and 'OFF', 4800 switching zones for the ultimate in detection quality, presence detection over a true 64 m<sup>2</sup>, square detection zone, mechanically scalable.

## Technical specifications

Dimensions (L x W x H)	65 x 120 x 120 mm
Manufacturer's Warranty	5 years
Settings via	Remote control, DIP switches, Potentiometers, Smart Remote
With remote control	No
Version	COM1 - surface white
PU1, EAN	4007841592400
Type	Presence detector
Application, place	Indoors
Application, room	classroom, lecture hall, open-plan office, high-bay warehouse, production facilities, conference room / meeting room, duty room, recreation room, changing room, sports hall, reception / lobby, multi-storey / underground car park
Colour	white
Colour, RAL	9010

Capacitive load in µF	176 µF
Technology, sensors	passive infrared, Light sensor
Mounting height	2,50 – 10,00 m
Mounting height max.	10,00 m
Optimum mounting height	2,8 m
Detection angle	360 °
Angle of aperture	160 °
Sneak-by guard	Yes
Capability of masking out individual segments	No
Electronic scalability	No
Mechanical scalability	Yes
Reach, radial	8 x 8 m (64 m <sup>2</sup> )
Reach, tangential	20 x 20 m (400 m <sup>2</sup> )
Reach, presence	8 x 8 m (64 m <sup>2</sup> )
Switching zones	4800 switching zones

# IR Quattro HD 24m

COM1 - surface white  
 EAN 4007841 592400  
 Article number 592400



## Technical specifications

Includes corner wall mount	No
Installation site	ceiling
Installation	Surface wiring, Ceiling
IP-rating	IP20
Ambient temperature	-25 – 55 °C
Material	Plastic
Mains power supply	230 V / 50 – 60 Hz
Fluorescent lamps, electronic ballast	1500 W
Fluorescent lamps, uncorrected	1000 VA
Fluorescent lamps, series-corrected	1000 VA
Fluorescent lamps, parallel-corrected	1000 VA
Switching output 1, low-voltage halogen lamps	2000 VA
LED lamps < 2 W	100 W
LED lamps > 2 W < 8 W	300 W
LED lamps > 8 W	600 W

Functions	Normal / test mode, Semi-/fully automatic, Pushbutton / switch mode, Manual ON / ON-OFF, Constant-lighting control ON-OFF
Twilight setting	10 – 1000 lx
Time setting	30 s – 30 Min.
Basic light level function	No
Main light adjustable	No
Twilight setting TEACH	Yes
Constant-lighting control	No
Interconnection	Yes
Type of interconnection	Master/master, Master/slave
Interconnection via	Cable
Interconnection, number	max. 10 sensors

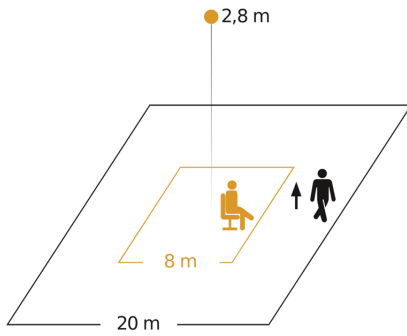
## Accessories

EAN 4007841 000363	Surface-mounted adapter Control Pro IP54
EAN 4007841 003036	Control PRO guard cage
EAN 4007841 009151	Remote control Smart Remote
EAN 4007841 559410	Service remote control RC8

# IR Quattro HD 24m

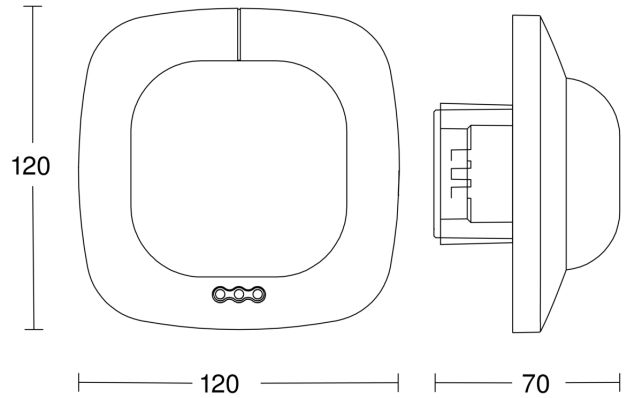
COM1 - surface white  
EAN 4007841 592400  
Article number 592400

## Detection Zone

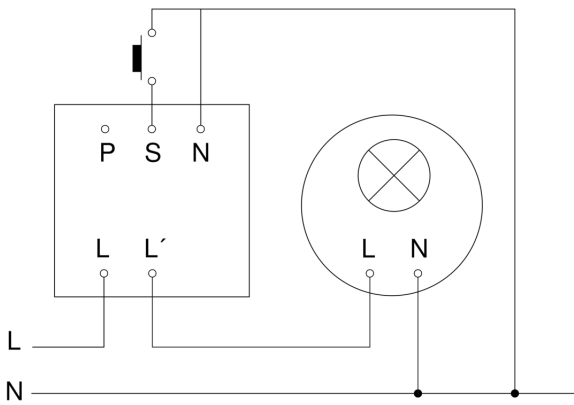


Possible mounting height: 2,50 m - 10,00 m  
Orange: presence  
Black: tangential

## Dimension Drawing



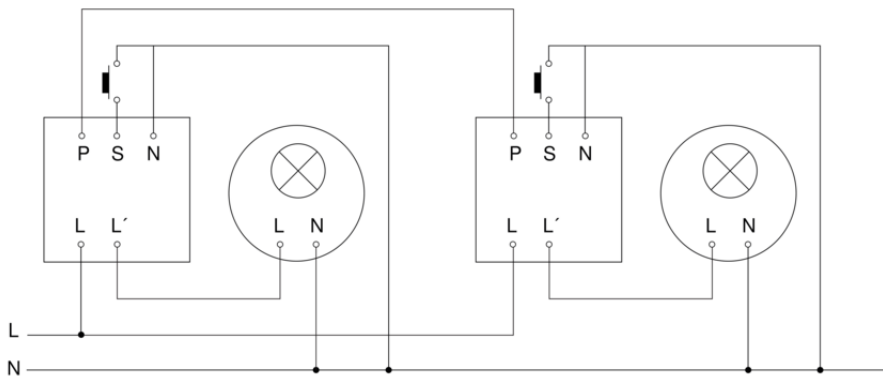
## Master circuit diagram



# IR Quattro HD 24m

COM1 - surface white  
EAN 4007841 592400  
Article number 592400

## Master/master interconnection circuit diagram



## Master/slave interconnection circuit diagram

