

Presence detector - Professional Line

IR Quattro HD

COM2

EAN 4007841 002770



infrared sensor
360°



max. 8 x 8 m
presence

HD

4800 zones

2000w

2000 W max.
(LED-ready)



ideal 2,5 - 10 m



indoor sensor

iQ

iQ-mode



energy saving

5 JAHRE
HERSTELLER
GARANTIE

manufacturer's
warranty
steinel-professional.de/garantie

CE

CE

Function description

Detection no finer! Infrared presence detector Presence Control PRO IR Quattro HD COM2 for indoors, ideal for medium to large-size offices, conference and meeting rooms, classrooms and lecture theatres, sports halls and warehouses, installation height up to 10 m, for switching light as well as HVAC 'ON' and 'OFF', 4800 switching zones for the ultimate in detection quality, presence detection over a true 64 m², square detection zone, mechanically scalable.

IR Quattro HD

COM2

EAN 4007841 002770

Technical specifications

Type	Presence detector
Dimensions (L x W x H)	70 x 120 x 120 mm
Mains power supply	230 V / 50 – 60 Hz
Sensor Technology	passive infrared
Application, place	Indoors
Installation site	ceiling
Installation	Concealed wiring
Mounting height	2,50 – 10,00 m
Reach, radial	8 x 8 m (64 m ²)
Reach, tangential	20 x 20 m (400 m ²)
Reach, presence	8 x 8 m (64 m ²)
Detection angle	360 °
Angle of aperture	160 °
Switching zones	4800 switching zones
Optimum mounting height	2,8 m
Mechanical scalability	Yes
Sneak-by guard	Yes
Capability of masking out individual segments	No
Electronic scalability	No

Twilight setting TEACH	Yes
Twilight setting	10 – 1000 lx
Time setting	30 s – 30 Min.
Constant-lighting control	No
Basic light level function	No
Functions	Normal / test mode, Semi-/fully automatic, Pushbutton / switch mode, Manual ON / ON-OFF
Settings via	Remote control, DIP switches, Potentiometers, Smart Remote
With remote control	No
Interconnection	Yes
Type of interconnection	Master/master, Master/slave
IP-rating	IP20
Material	Plastic
Ambient temperature	-25 – 55 °C
Application, room	classroom, lecture hall, open-plan office, high-bay warehouse, production facilities, conference room / meeting room, duty room, recreation room, changing room, sports hall, reception / lobby, multi-storey / underground car park, Indoors
Colour	white
Colour, RAL	9010
Manufacturer's Warranty	5 years
Version	COM2
PU1, EAN	4007841002770

Accessories

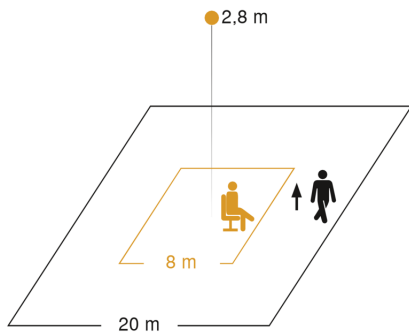
EAN 4007841 003036	Control PRO guard cage
EAN 4007841 000363	Surface-mounting adapter Control PRO AP Box (IP54)
EAN 4007841 009151	Remote control Smart Remote
EAN 4007841 559410	Service remote control RC8

IR Quattro HD

COM2

EAN 4007841 002770

Detection Zone

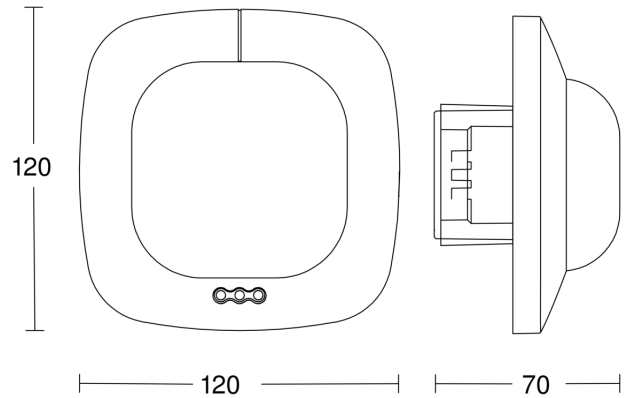


Mögliche Montagehöhe: 2,50 m – 10,00 m

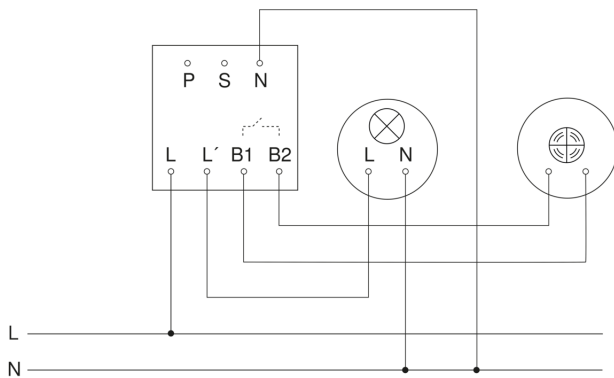
Orange: Präsenz

Schwarz: tangential

Dimension Drawing



Master circuit diagram



Master/slave interconnection circuit diagram

