

IR Quattro MICRO 6m

COM1 - white
 EAN 4007841 053789
 Article number 053789



infrared sensor



max. 4 x 4 m presence

1000 W

1000 W max.



IP65



2 - 1000 lux



5 sec - 60 min

5 years

manufacturer's
 warranty steinel.de/
 garantie



CE



VDE

Function description

Small sensor. Great performance. The IR Quattro MICRO meets the wish of many architects and planners for a sensor that's as inconspicuous as possible. It impresses with its compact size after installation, low overall height and a micro precision lens (15 x 15 mm). At the same time, the small 360° infrared presence puts on a great performance, covering 36 m². IP65 certification also makes it suitable for rooms exposed to moisture.

Technical specifications

Dimensions (Ø x H)	43 x 75 mm	LED lamps > 8 W	600 W
With motion detector	Yes	Capacitive load in µF	176 µF
Manufacturer's Warranty	5 years	Power consumption	0,5 W
Settings via	Remote control, Smart Remote	Technology, sensors	passive infrared, Light sensor
With remote control	No	Mounting height	2,50 – 4,00 m
Version	COM1 - white	Mounting height max.	4,00 m
PU1, EAN	4007841053789	Optimum mounting height	2,8 m
Type	Presence detector	Detection angle	360 °
Application, place	Indoors	Angle of aperture	90 °
Application, room	one-person office, hotel room, care room, function room / ancillary room, WC / washroom, Indoors	Sneak-by guard	Yes
Colour	white	Capability of masking out individual segments	No
Colour, RAL	9003	Electronic scalability	No
Includes corner wall mount	No	Mechanical scalability	No
Installation site	ceiling	Reach, radial	4 x 4 m (16 m ²)
Installation	In-ceiling installation, Ceiling	Reach, tangential	6 x 6 m (36 m ²)
IP-rating	IP65	Reach, presence	4 x 4 m (16 m ²)

IR Quattro MICRO 6m

COM1 - white
 EAN 4007841 053789
 Article number 053789



Technical specifications

Ambient temperature	from -25 up to 55 °C
Material	Plastic
Mains power supply	220 – 240 V / 50 – 60 Hz
Switching output 1, resistive	1000 W
Switching output 1, number of LEDs / fluorescent lamps	8 pcs.
Switching output 1, floating	No
Fluorescent lamps, electronic ballast	500 W
Fluorescent lamps, uncorrected	400 VA
Fluorescent lamps, series-corrected	400 VA
Fluorescent lamps, parallel-corrected	400 VA
Switching output 1, low-voltage halogen lamps	1000 VA
LED lamps < 2 W	100 W
LED lamps > 2 W < 8 W	300 W

Switching zones	168 switching zones
Functions	Normal / test mode, Semi-/fully automatic, Manual ON / ON-OFF
Twilight setting	2 – 1000 lx
Time setting	5 s – 60 Min.
Basic light level function	No
Main light adjustable	No
Twilight setting TEACH	Yes
Constant-lighting control	No
Interconnection	Yes
Type of interconnection	Master/master, Master/slave
Interconnection via	Cable
Product category	Presence detector

Accessories

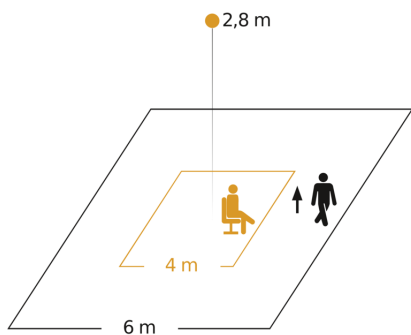
EAN 4007841 009151	Remote control Smart Remote
EAN 4007841 592806	User remote control RC5
EAN 4007841 559410	Service remote control RC8

IR Quattro MICRO 6m

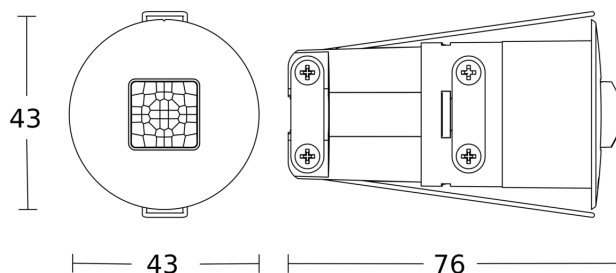
COM1 - white
EAN 4007841 053789
Article number 053789



Detection Zone

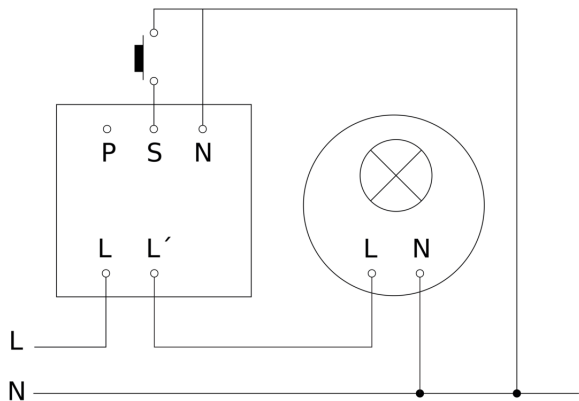


Dimension Drawing



Possible mounting height: 2,50 m - 4,00 m
Orange: presence
Black: tangential

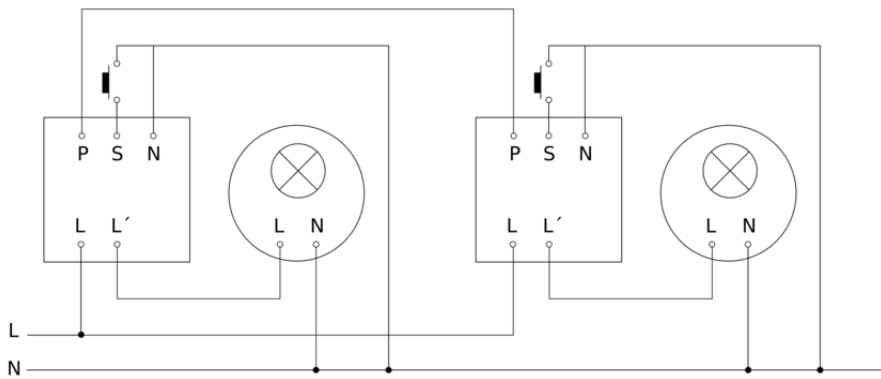
Master circuit diagram



IR Quattro MICRO 6m

COM1 - white
EAN 4007841 053789
Article number 053789

Master/master interconnection circuit diagram



Master/slave interconnection circuit diagram

