

Presence detector - Professional Line

# IR Quattro SLIM

COM1

EAN 4007841 593414



infrared sensor  
max. 4m x 4m  
presence



max. 4 x 4 m  
presence

2000w

max. 2000 W



10 - 1000 lux with  
RC 8



1 min - 15 min  
with RC 8



ideal 2,5 - 4 m



indoor sensor

TEACH

Teach mode with  
RC 8

iQ

iQ-mode

5 JAHRE  
HERSTELLER  
GARANTIE

manufacturer's  
warranty  
[steinel-professional.de/garantie](https://www.steinel.de/garantie)

## Function description

Genuine 16 m<sup>2</sup> of presence detection concentrated on 4 mm. Control PRO IR Quattro SLIM COM1 presence detector for indoors, ideal for small offices, store, service and utility rooms, washrooms and WCs, for mounting at a height of up to 4 m, for switching light ON and OFF, square presence detection zone covering 16m<sup>2</sup>, high-quality retina lens.

# IR Quattro SLIM

COM1

EAN 4007841 593414

## Technical specifications

Type	Presence detector	Reach, presence	4 x 4 m (16 m <sup>2</sup> )
Dimensions (L x W x H)	55 x 77 x 77 mm	Twilight setting TEACH	Yes
Mains power supply	120 – 250 V / 50 – 60 Hz	Twilight setting	10 – 1000 lx
Power supply, detail	500 VA max., 120 V	Time setting	30 s – 30 Min.
Sensor Technology	passive infrared	Switching output 1, resistive	2000 W
Application, place	Indoors	Constant-lighting control	No
Application, place, room	one-person office, hotel room, care room, function room / ancillary room, WC / washroom, Indoors	Basic light level function	No
Installation site	ceiling	Functions	Normal / test mode, Semi-/fully automatic, Manual ON / ON-OFF
Installation	Installation	Settings via	Remote control, Smart Remote
Switching zones	260 switching zones	With remote control	No
Electronic scalability	No	Interconnection	Yes
Mechanical scalability	No	Type of interconnection	Master/slave, Master/master
Mounting height	2,50 – 4,00 m	IP-rating	IP20
Optimum mounting height	2,8 m	Material	Plastic
Detection angle	360 °	Ambient temperature	0 – 40 °C
Sneak-by guard	Yes	Colour	white
Capability of masking out individual segments	No	Colour, RAL	9010
Reach, detail	Retina lens and hexagonal Fresnel structure	Manufacturer's Warranty	5 years
Reach, radial	4 x 4 m (16 m <sup>2</sup> )	Version	COM1
Reach, tangential	4 x 4 m (16 m <sup>2</sup> )	PU1, EAN	4007841593414

## Accessories

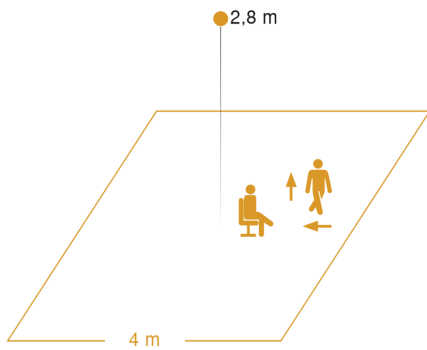
EAN 4007841 009151	Remote control Smart Remote
EAN 4007841 559410	Service remote control RC8

# IR Quattro SLIM

COM1

EAN 4007841 593414

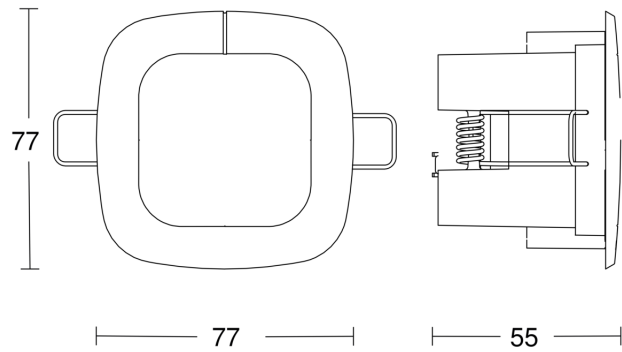
## Detection Zone



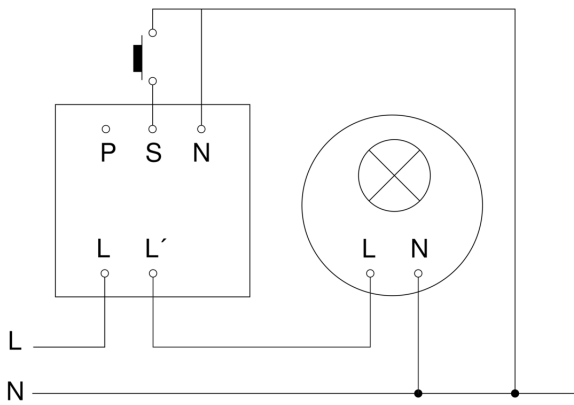
Mögliche Montagehöhe: 2,50 m – 4,00 m

Orange: Präsenz, tangential und radial

## Dimension Drawing



## Master circuit diagram

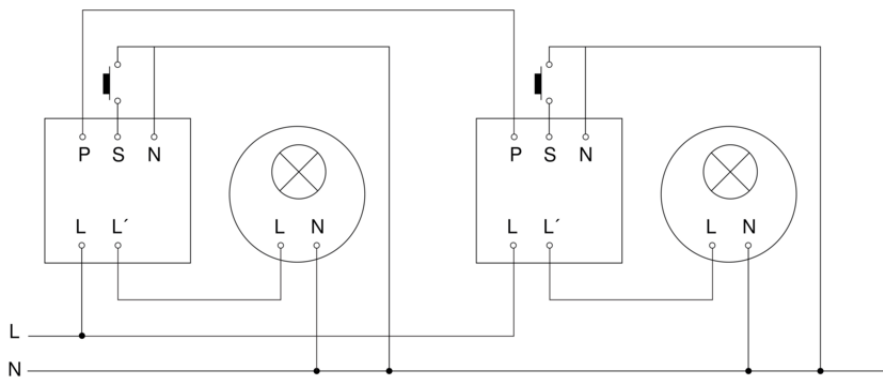


# IR Quattro SLIM

COM1

EAN 4007841 593414

Master/master interconnection circuit diagram



Master/slave interconnection circuit diagram

