

Presence detector - Professional Line

IR Quattro SLIM XS

COM1 - round

EAN 4007841 035211



infrared sensor
360°



max. 4 x 4 m
presence



IP20

1000w

1000 W max.



10 - 1000 lux with
RC 8



1 min - 15 min
with RC 8



ideal 2,5 - 4 m

TEACH

Teach mode

iQ

iQ-mode

5 JAHRE
HERSTELLER
GARANTIE

manufacturer's
warranty
[steinel-professional.de/garantie](https://www.steinel.de/garantie)

Function description

Noticeably Inconspicuous. IR Quattro SLIM XS, the extra-slim presence detector in concealed-box format. Fits into any standard concealed box. Overall height of just 6 mm. High-precision 360° infrared sensor with globally unique retina lens and 16 sq.m square presence detection zone (4 x 4 m). Adjustment via remote control or Smart Remote.

IR Quattro SLIM XS

COM1 - round

EAN 4007841 035211

Technical specifications

Type	Presence detector
Dimensions (Ø x H)	94 x 55 mm
Mains power supply	220 – 240 V / 50 – 60 Hz
Sensor Technology	passive infrared
Application, place	Indoors
Application, place, room	one-person office, hotel room, care room, function room / ancillary room, WC / washroom, Indoors
Installation site	ceiling
Installation	Concealed wiring
Switching zones	408 switching zones
Electronic scalability	No
Mechanical scalability	No
Mounting height	2,50 – 4,00 m
Optimum mounting height	2,8 m
Detection angle	360 °
Sneak-by guard	Yes
Capability of masking out individual segments	No
Reach, detail	Retina lens and hexagonal Fresnel structure
Reach, radial	4 x 4 m (16 m ²)
Reach, tangential	4 x 4 m (16 m ²)
Reach, presence	4 x 4 m (16 m ²)

Twilight setting TEACH	Yes
Twilight setting	10 – 1000 lx
Time setting	30 s – 30 Min.
Switching output 1, resistive	1000 W
Switching output 1, number of LEDs / fluorescent lamps	8 pcs.
Constant-lighting control	No
Basic light level function	No
Functions	Normal / test mode, Semi-/fully automatic, Manual ON / ON-OFF
Settings via	Remote control, Smart Remote
With remote control	Yes
Interconnection	Yes
Type of interconnection	Master/slave, Master/master
IP-rating	IP20
Material	Plastic
Ambient temperature	0 – 40 °C
Colour	white
Colour, RAL	9010
Manufacturer's Warranty	5 years
Version	COM1 - round
PU1, EAN	4007841035211

Accessories

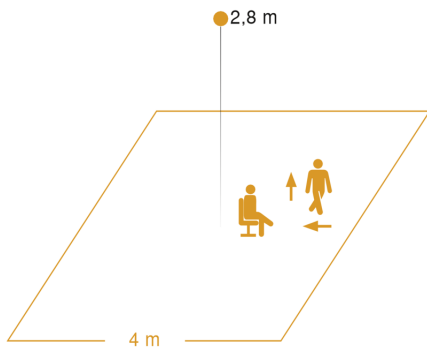
EAN 4007841 559410	Service remote control RC8
EAN 4007841 009151	Remote control Smart Remote

IR Quattro SLIM XS

COM1 - round

EAN 4007841 035211

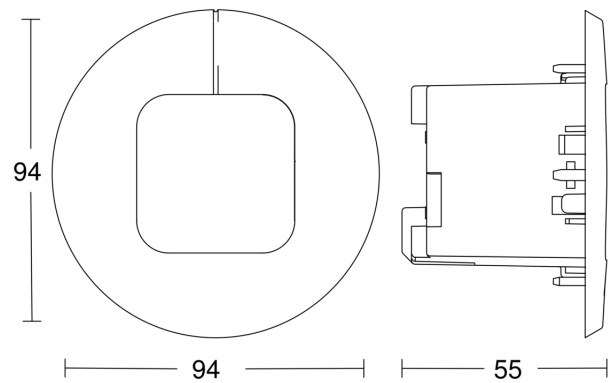
Detection Zone



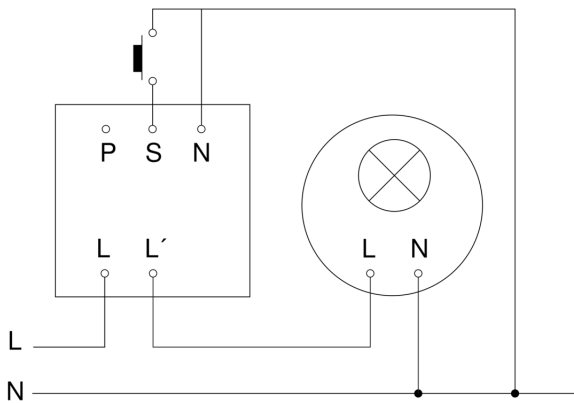
Mögliche Montagehöhe: 2,50 m – 4,00 m

Orange: Präsenz, tangential und radial

Dimension Drawing



Master circuit diagram

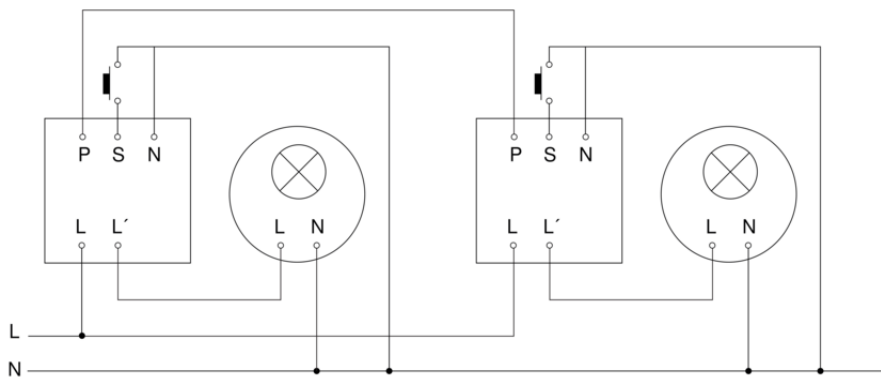


IR Quattro SLIM XS

COM1 - round

EAN 4007841 035211

Master/master interconnection circuit diagram



Master/slave interconnection circuit diagram

