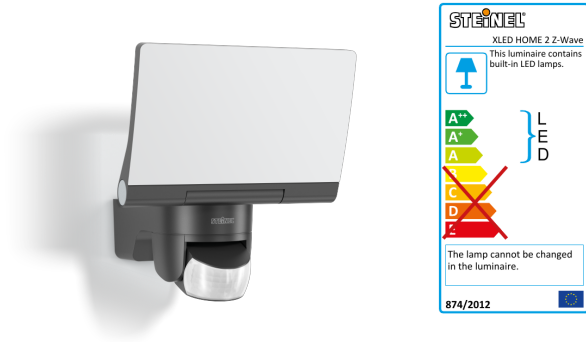


Sensor-switched LED floodlight

XLED home 2 Z-Wave

graphite

EAN 4007841 033996



LED

30 years (Ø 4,5h / day)



4000K neutral white



infrared sensor 140°



energy saving



max. 14 m



IP44



180° horizontal, 180° vertikal



180° horizontal, 90° vertical



2 - 2000 lux



8 sec - 35 min

Function description

Top seller. Now even better. XLED home 2 Z-Wave sensor-switched outdoor floodlight for even more safety and security. Can be integrated into the Smart Friends system or any other Z-Wave network. Fully swivelling LED panel in classy stainless-steel look. For the most exacting of demands on design and maximum lighting convenience. 1184 lm at a power consumption of only 14,8 W. Swivelling precision IR sensor (horizontally: 180°, vertically: 90°). 140° angle of coverage, 14 m reach. High thermal conductivity magnesium composite cooling system (HCMC).

XLED home 2 Z-Wave

graphite
EAN 4007841 033996



Technical specifications

Dimensions (L x W x H)	161 x 180 x 218 mm
Mains power supply	230 – 240 V / 50 – 60 Hz
Mounting height max.	4,00 m
Sensor Technology	passive infrared
Output	14,8 W
Interconnection	Yes
Luminous flux	1184 lm
Colour temperature	4000 K
Colour variation LED	SDCM3
Colour Rendering Index CRI	80-89
With lamp	Yes, STEINEL LED system
Lamp	LED cannot be replaced
LED life expectancy (max. °C)	50000 h
Drop in luminous flux in accordance with LM80	L70B10
LED cooling system	HCMC (High Conductive Magnesium Composite)
With motion detector	Yes
Detection angle	140 °
Sneak-by guard	Yes
Capability of masking out individual segments	Yes
Reach, radial	r = 3 m (11 m ²)

Reach, tangential	r = 14 m (239 m ²)
Photo-cell controller	Yes
Twilight setting	2 – 2000 lx
Time setting	8 s – 35 Min.
Basic light level function	No
Main light adjustable	No
Settings via	Potentiometers, Z-Wave
Soft light start	No
Continuous light	selectable
Impact resistance	IK03
IP-rating	IP44
Protection class	II
Ambient temperature	-20 – 40 °C
Transmitter range	Up to 100 m in the open, 30 m indoors
Housing material	HCMC
Cover material	Plastic, opal
Manufacturer's Warranty	5 years
PU1, net weight	0,48 kg
Version	graphite
PU1, EAN	4007841033996

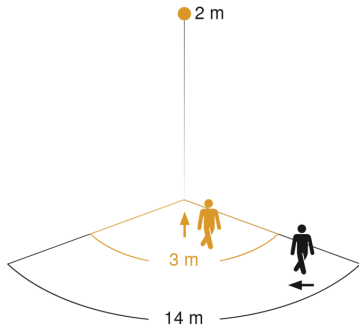
Accessories

EAN 4007841 029876 Smartfriends Box

XLED home 2 Z-Wave

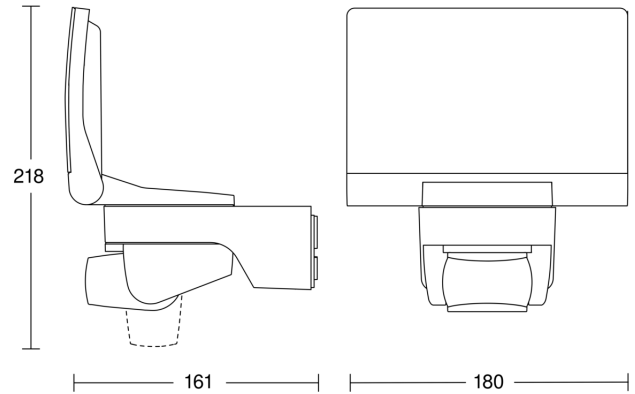
graphite
EAN 4007841 033996

Detection Zone

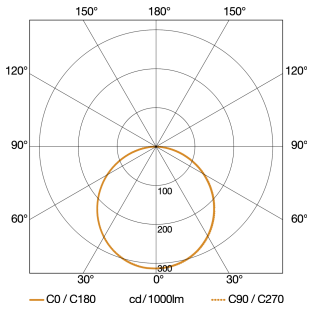


Mögliche Montagehöhe: 1,80 m – 4,00 m
Orange: radial
Schwarz: tangential

Dimension Drawing



Light Distribution Curve



Output	14,8 W
With lamp	Yes, STEINEL LED system
Lamp	LED cannot be replaced
Luminous flux	1184 lm
Colour temperature	4000 K
Colour Rendering Index CRI	80-89
LED life expectancy (max. °C)	50000 h
LED cooling system	HCMC (High Conductive Magnesium Composite)

Master/slave interconnection circuit diagram

