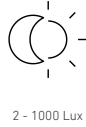
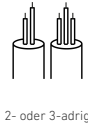


IR 180 UNIVERSAL

white
 EAN 4007841 033149
 Article number 033149



5 years

Herstellergarantie
 steinel-
 professional.de/
 garantie

Function description

World first for modernisation and refurbishment. 180° infrared presence switch in patented 2-wire design – perfect for LED lamps. Integrated SuperCap energy storage system for flawless functionality even in the event of a power cut. Zero-watt stand-by output. Absolutely flicker-free light from any lamp. Integrated switch for manual override. 20 m reach.

Technical specifications

Dimensions (L x W x H)	50 x 80 x 80 mm
Manufacturer's Warranty	5 years
Settings via	Remote control, Potentiometers, Smart Remote
With remote control	No
Version	white
PU1, EAN	4007841033149
Type	Presence detector
Application, place	Indoors
Application, room	one-person office, corridor / aisle, function room / ancillary room, kitchenette, stairwell, WC / washroom, Indoors
Colour	white
Colour, RAL	9010
Includes corner wall mount	No
Installation site	wall
Installation	Concealed wiring, Wall

Mounting height	1,10 – 1,20 m
Mounting height max.	1,20 m
Optimum mounting height	1,2 m
Detection angle	180 °
Angle of aperture	90 °
Sneak-by guard	Yes
Capability of masking out individual segments	No
Electronic scalability	Yes
Mechanical scalability	No
Reach, radial	r = 4 m (25 m ²)
Reach, tangential	r = 20 m (628 m ²)
Reach, presence	r = 4 m (25 m ²)
Switching zones	96 switching zones
Functions	Switch active / switch inactive, Normal / test mode, Manual ON / ON-OFF
Twilight setting	2 – 1000 lx

IR 180 UNIVERSAL

white
EAN 4007841 033149
Article number 033149



Technical specifications

IP-rating	IP20	Time setting	30 s – 15 Min.
Ambient temperature	0 – 40 °C	Basic light level function	No
Material	Plastic	Main light adjustable	No
Mains power supply	220 – 240 V / 50 – 60 Hz	Twilight setting TEACH	Yes
Switching output 1, resistive	200 W	Constant-lighting control	No
Switching output 1, number of LEDs / fluorescent lamps	6 pcs.	Interconnection	No
Capacitive load in μ F	132 μ F		
Technology, sensors	passive infrared, Light sensor		

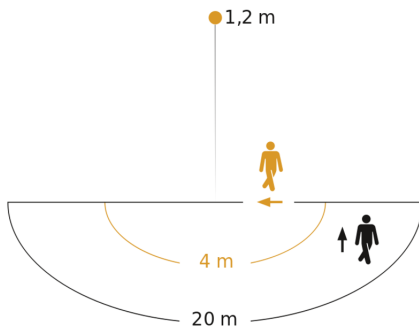
Accessories

EAN 4007841 034160	Adapter frame for IR/HF 180
EAN 4007841 034184	Adapter frame for IR/HF 180
EAN 4007841 034139	Adapter frame for IR/HF 180

IR 180 UNIVERSAL

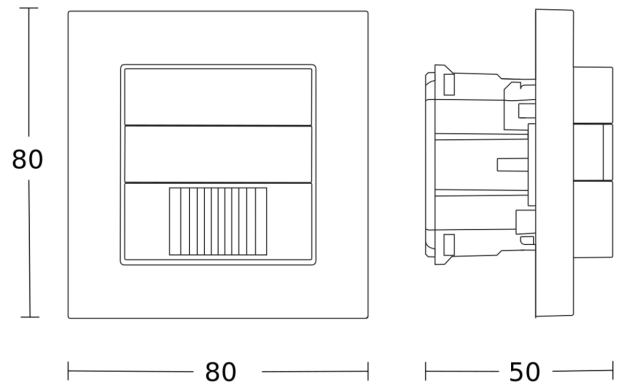
white
EAN 4007841 033149
Article number 033149

Detection Zone



Possible mounting height: 1,10 m - 1,20 m
Orange: radial
Black: tangential

Dimension Drawing



Master circuit diagram

