

IR 2180 UP ECO

EAN 4007841 065003
Article number 065003



infrared sensor 180°



max. 8 m



long life LED 25.000 h



manual switch ON/OFF



IP20



2 - 1000 lux



5 sec - 30 min



energy saving



CE

Function description

The new universal wizard. Lighting automation made easy: the IR 2180 UP ECO sensor switch is a revolutionary world first. It works in both as 2 and 3-wire installations and can switch all type of lamps ON and OFF. Simply replace existing flush-mounted switches – done! With 180° infrared sensor (8 m reach) and button for manual switching.

Technical specifications

Dimensions (L x W x H)	57 x 81 x 81 mm	LED lamps > 8 W	160 W
With motion detector	Yes	Capacitive load in µF	132 µF
Manufacturer's Warranty	5 years	Technology, sensors	passive infrared, Light sensor
Settings via	Potentiometers	Mounting height	1,10 – 2,2 m
With remote control	No	Mounting height max.	2,20 m
PU1, EAN	4007841065003	Optimum mounting height	1,1 m
Type	Motion detectors	Detection angle	180 °
Application, place	Indoors	Angle of aperture	90 °
Application, room	corridor / aisle, function room / ancillary room, kitchenette, stairwell, WC / washroom, Indoors	Sneak-by guard	Yes
Colour	white	Capability of masking out individual segments	No
Colour, RAL	9010	Electronic scalability	No
Includes corner wall mount	No	Mechanical scalability	No
Installation site	wall	Reach, radial	r = 2 m (6 m ²)
Installation	Concealed wiring, Wall	Reach, tangential	r = 8 m (101 m ²)
IP-rating	IP20	Switching zones	96 switching zones
Ambient temperature	from 0 up to 40 °C	Twilight setting	2 – 1000 lx

IR 2180 UP ECO

EAN 4007841 065003

Article number 065003

Technical specifications

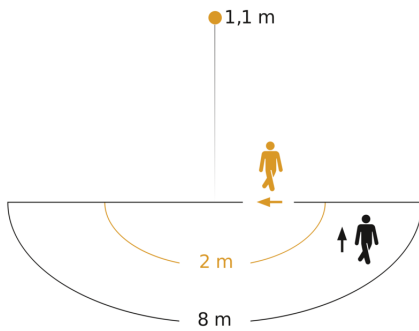
Material	Plastic
Mains power supply	220 – 240 V / 50 – 60 Hz
Fluorescent lamps, electronic ballast	150 W
Fluorescent lamps, uncorrected	150 VA
Fluorescent lamps, series-corrected	150 VA
Switching output 1, low-voltage halogen lamps	200 VA
LED lamps < 2 W	40 W
LED lamps > 2 W < 8 W	100 W

Time setting	5 s – 30 Min.
Basic light level function	No
Main light adjustable	No
Twilight setting TEACH	No
Constant-lighting control	No
Interconnection	No
Product category	Motion detector

IR 2180 UP ECO

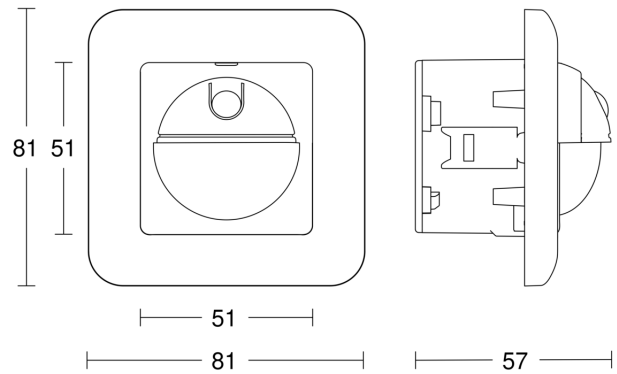
EAN 4007841 065003
Article number 065003

Detection Zone

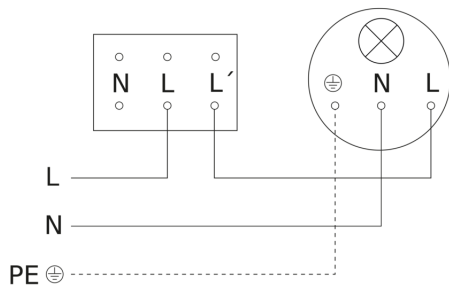


Possible mounting height: 1,10 m - 2,20 m
Orange: radial
Black: tangential

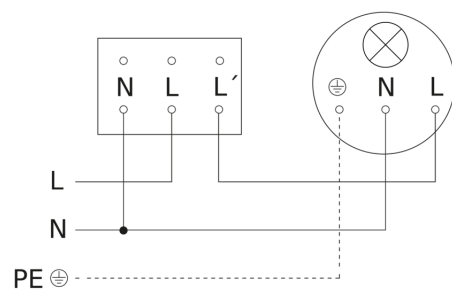
Dimension Drawing



2-wire circuit diagram



3-wire circuit diagram



IR 2180 UP ECO

EAN 4007841 065003

Article number 065003

Circuit diagram for interconnecting several sensors

