

Motion detector

IR 180 UP easy

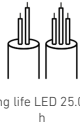
Concealed wiring
EAN 4007841 055790
Article number 055790



infrared sensor
180°



max. 8 m



long life LED 25.000
h

200 W

max. 2000 W



manual switch ON/
OFF



IP20



2 - 1000 lux



5 sec - 30 min



energy saving



CE

Function description

The new universal wizard. Lighting automation made easy: the IR 180 UP easy sensor switch is a revolutionary world first. It works in both as 2 and 3-wire installations and can switch all type of lamps ON and OFF. Simply replace existing flush-mounted switches – done! With 180° infrared sensor (8 m reach) and button for manual switching.

Technical specifications

Dimensions (L x W x H)	57 x 81 x 81 mm	LED lamps < 2 W	40 W
With motion detector	Yes	LED lamps > 2 W < 8 W	100 W
Manufacturer's Warranty	3 years	LED lamps > 8 W	160 W
Settings via	Potentiometers	Capacitive load in μF	132 μF
With remote control	No	Technology, sensors	passive infrared, Light sensor
Version	Concealed wiring	Mounting height	1,10 – 2,20 m
PU1, EAN	4007841055790	Mounting height max.	2,20 m
Type	Motion detectors	Optimum mounting height	1,1 m
Application, place	Indoors	Detection angle	180 °
Application, room	corridor / aisle, function room / ancillary room, kitchenette, stairwell, WC / washroom, Indoors	Angle of aperture	90 °
Colour	white	Sneak-by guard	Yes
Colour, RAL	9010	Capability of masking out individual segments	No
Includes corner wall mount	No	Electronic scalability	No
Installation site	wall	Mechanical scalability	No
Installation	Concealed wiring, Wall	Reach, radial	r = 2 m (6 m ²)
IP-rating	IP20	Reach, tangential	r = 8 m (101 m ²)

Motion detector

IR 180 UP easy

Concealed wiring
EAN 4007841 055790
Article number 055790



Technical specifications

Ambient temperature	from 0 up to 40 °C
Material	Plastic
Mains power supply	220 – 240 V / 50 – 60 Hz
Switching output 1, resistive	200 W
Switching output 1, number of LEDs / fluorescent lamps	4 pcs.
Fluorescent lamps, electronic ballast	150 W
Fluorescent lamps, uncorrected	150 VA
Fluorescent lamps, series-corrected	150 VA
Fluorescent lamps, parallel-corrected	150 VA
Switching output 1, low-voltage halogen lamps	200 VA

Switching zones	96 switching zones
Twilight setting	2 – 1000 lx
Time setting	5 s – 30 Min.
Basic light level function	No
Main light adjustable	No
Twilight setting TEACH	No
Constant-lighting control	No
Interconnection	No
Product category	Motion detector

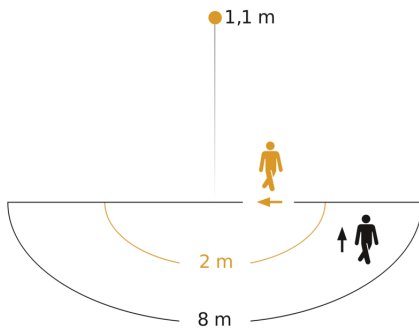
Motion detector

IR 180 UP easy

Concealed wiring
EAN 4007841 055790
Article number 055790

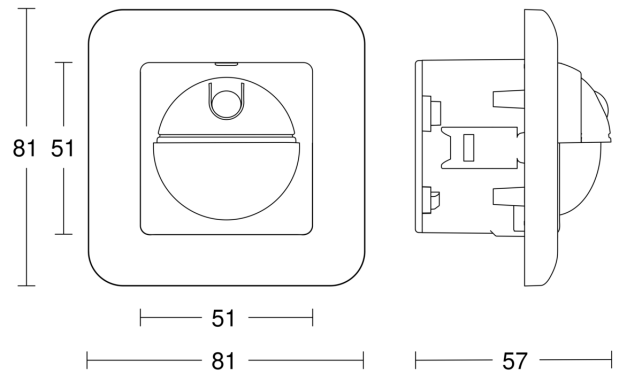


Detection Zone

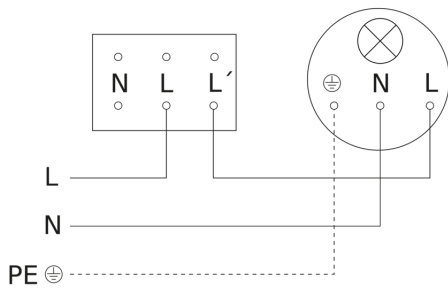


Possible mounting height: 1,10 m - 2,20 m
Orange: radial
Black: tangential

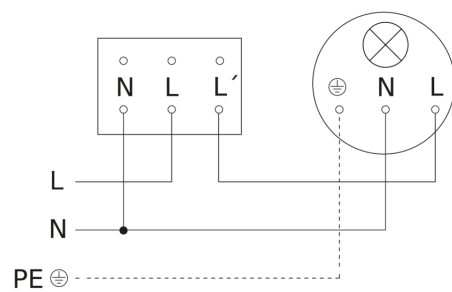
Dimension Drawing



2-wire circuit diagram



3-wire circuit diagram



Motion detector

IR 180 UP easy

Concealed wiring

EAN 4007841 055790

Article number 055790



Circuit diagram for interconnecting several sensors

