

Motion detector - Professional Line

HF 3360

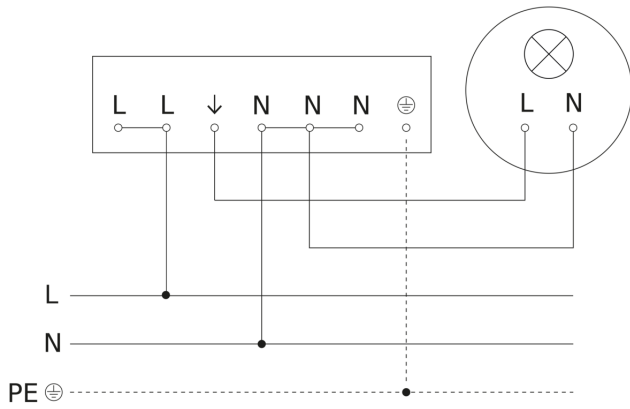
COM1 - surface, sq.
EAN 4007841 011734
Article number 011734



HF 3360

COM1 - surface, sq.
EAN 4007841 011734
Article number 011734

Master circuit diagram



Master/slave interconnection circuit diagram

