

Motion detector - Professional Line

# HF 3360

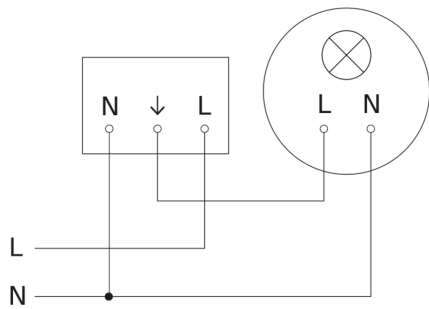
COM1 - concealed, sq.  
EAN 4007841 033675  
Article number 033675



# HF 3360

COM1 - concealed, sq.  
EAN 4007841 033675  
Article number 033675

## Master circuit diagram



## Master/slave interconnection circuit diagram

