

Motion detector - Professional Line

# IS 3180

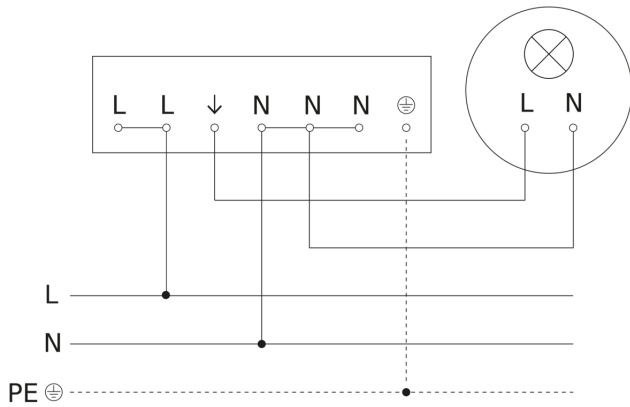
COM1 - surface, sq.  
EAN 4007841 009113  
Article number 009113



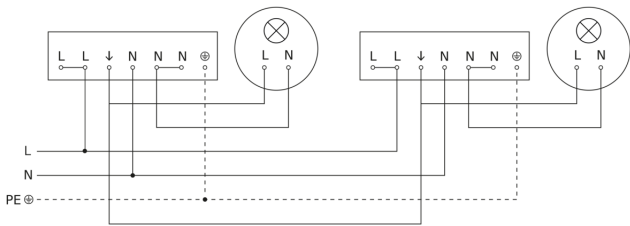
# IS 3180

COM1 - surface, sq.  
EAN 4007841 009113  
Article number 009113

## Master circuit diagram



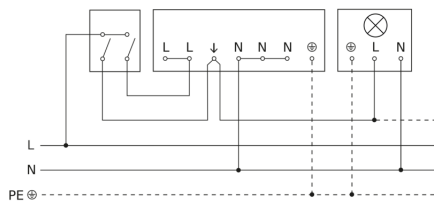
## Master/slave interconnection circuit diagram



# IS 3180

COM1 - surface, sq.  
EAN 4007841 009113  
Article number 009113

## Connection using two-circuit switch for manual and automatic operation



## Connection of 4-fold push-button coupler to DALI2 APC

