

Presence detector - Professional Line

IS 3360

COM1 - concealed, rd. white

EAN 4007841 033453

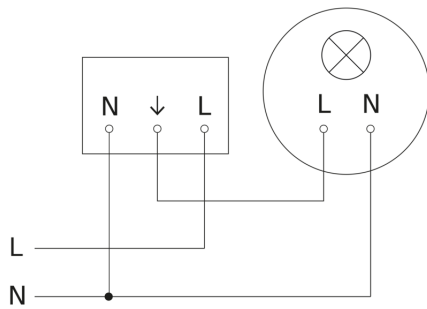
Article number 033453



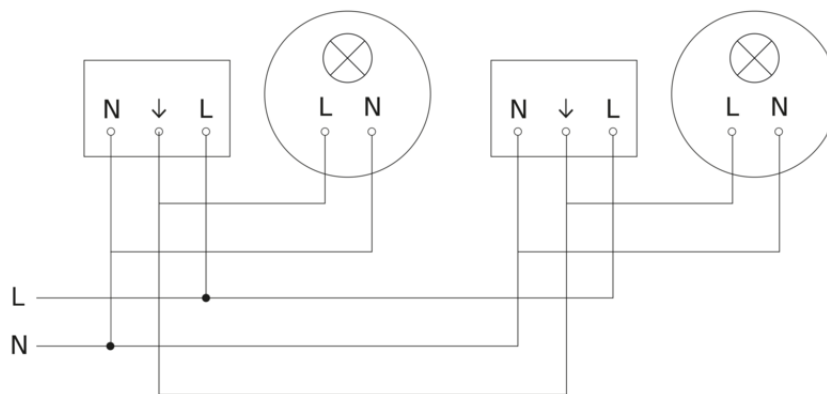
IS 3360

COM1 - concealed, rd. white
EAN 4007841 033453
Article number 033453

Circuit diagram



Circuit diagram for interconnecting several sensors

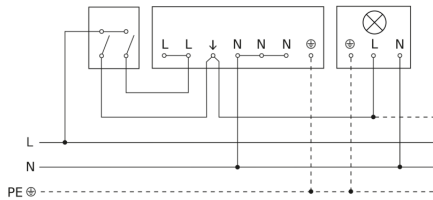


IS 3360

COM1 - concealed, rd. white
EAN 4007841 033453
Article number 033453



Connection using two-circuit switch for manual and automatic operation



Circuit diagram Connection via a changeover switch for continuous and automatic operation

