

Motion detector - Professional Line

# IS 345

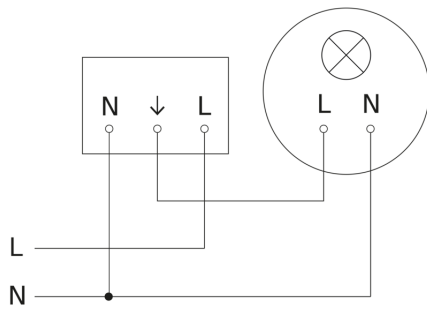
COM1 - concealed, rd.  
EAN 4007841 033811  
Article number 033811



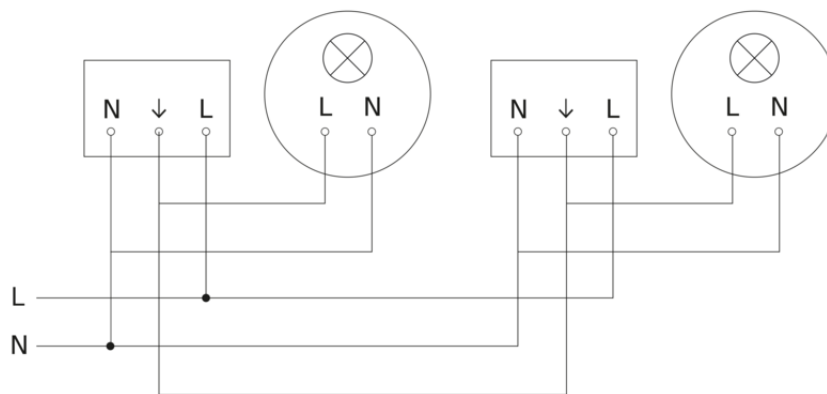
# IS 345

COM1 - concealed, rd.  
EAN 4007841 033811  
Article number 033811

## Circuit diagram



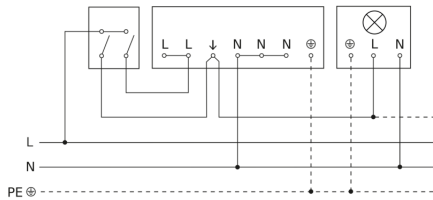
## Circuit diagram for interconnecting several sensors



# IS 345

COM1 - concealed, rd.  
EAN 4007841 033811  
Article number 033811

## Connection using two-circuit switch for manual and automatic operation



## Circuit diagram Connection via a changeover switch for continuous and automatic operation

