

Presence detector - Professional Line

DualTech

COM1 - Concealed wiring

EAN 4007841 007997

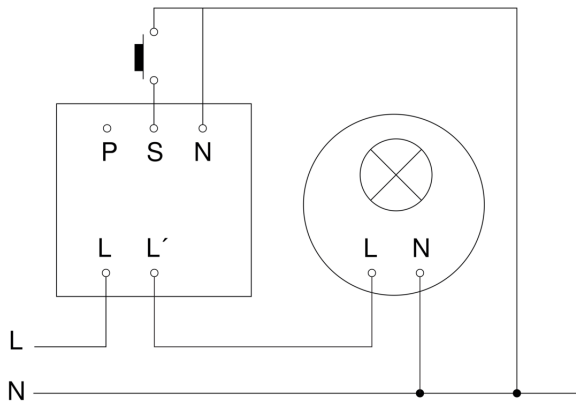
Article number 007997



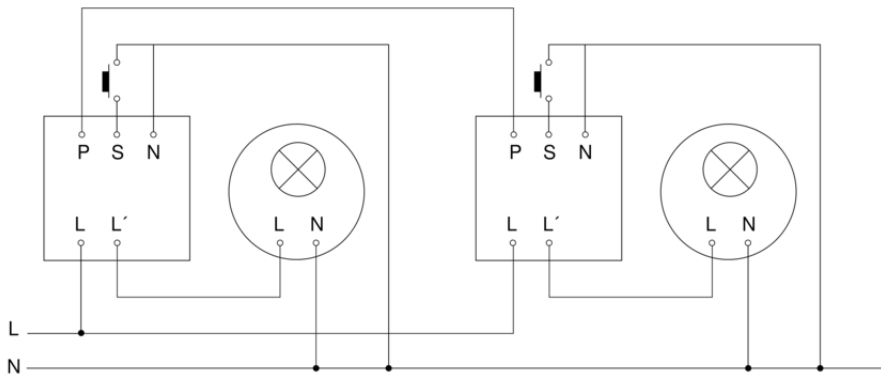
DualTech

COM1 - Concealed wiring
EAN 4007841 007997
Article number 007997

Master circuit diagram



Master/master interconnection circuit diagram



DualTech

COM1 - Concealed wiring
EAN 4007841 007997
Article number 007997



Master/slave interconnection circuit diagram

