

Sensor-switched indoor light

RS PRO P1 S

V3 warm white

EAN 4007841 056063

Article number 056063



Sensor-switched indoor light

RS PRO P1 S

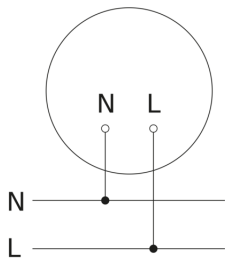
V3 warm white

EAN 4007841 056063

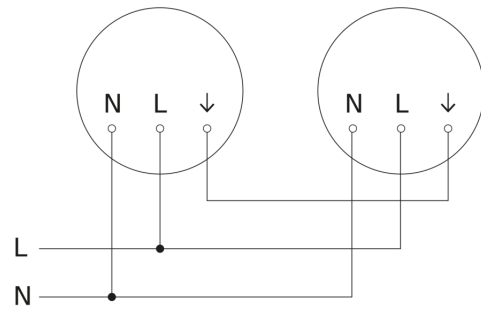
Article number 056063



Master circuit diagram



Master/master interconnection circuit diagram



Master/slave interconnection circuit diagram

