

Sensor-switched LED indoor light - Professional Line

RS PRO P3 S

warm white

EAN 4007841 056148

Article number 056148

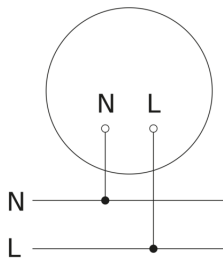


RS PRO P3 S

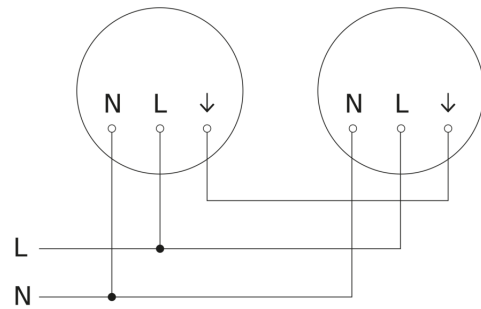
warm white
EAN 4007841 056148
Article number 056148



Master circuit diagram



Master/master interconnection circuit diagram



Master/slave interconnection circuit diagram

