

SENSOTEC Sensor NET

110075223	SENSOTEC Sensor HB PIR 3360 NET Intra
110075224	SENSOTEC Sensor HB PIR 3360 NET Wire
110075225	SENSOTEC Sensor HB PIR 3360 NET Zhaga
110075226	SENSOTEC Sensor HB PIR 345 NET Intra
110075227	SENSOTEC Sensor HB PIR 345 NET Wire
110075228	SENSOTEC Sensor HB PIR 345 NET Zhaga
110075229	SENSOTEC Sensor HF2 NET
110075230	SENSOTEC Sensor PIR NET
110075231	SENSOTEC Extension NET

HB PIR 3360 NET



HB PIR 345 NET



Intra



Wire



Zhaga



HF2 NET



PIR NET



Extension NET



SENSOTEC Sensor NET

110075223	SENSOTEC Sensor HB PIR 3360 NET Intra
110075224	SENSOTEC Sensor HB PIR 3360 NET Wire
110075225	SENSOTEC Sensor HB PIR 3360 NET Zhaga
110075226	SENSOTEC Sensor HB PIR 345 NET Intra
110075227	SENSOTEC Sensor HB PIR 345 NET Wire
110075228	SENSOTEC Sensor HB PIR 345 NET Zhaga
110075229	SENSOTEC Sensor HF2 NET
110075230	SENSOTEC Sensor PIR NET
110075231	SENSOTEC Extension NET

Function description

Our most innovative sensors wirelessly interconnect via a Bluetooth mesh network, can be configured by app und control LED drivers via the DALI bus. Quick and easy to fit, they also provide installation flexibility. These are the benefits:

- Sensor configured as DALI2 application controller
- Direct connection to DALI interface
- Straightforward wiring, fed via the DALI bus
- Mesh network in line with Bluetooth SIG specification for interconnecting and integrating sensors and lights
- Parameterisation and configuration via Bluetooth app
- Wireless firmware updating of the entire network
- Constant-lighting control
- Any selectable main and basic light level
- User-defined lighting groups with configurable behavior
- Qualified Bluetooth mesh enabled by Silvair
- Suitable for a DALI-2 LED driver in broadcast mode

Bluetooth mesh (SIG) interconnectable sensors

HF2 NET

The HF2 NET is a radar sensor module designed for built-in applications. Capable of detecting movement through glass and non-metallic materials, these modules can be installed without a problem inside luminaires or other applications.

PIR NET

Small. Slim. Compact. Inconspicuous presence detectors. 360° passive infrared sensor with a presence detection zone of 4 x 4 m (presence and radial) or 6 x 6 m (tangential). With patented multi-segment pyro lens.

MAN NET

Intended as a light without sensor system, the MAN is used for extending the Bluetooth mesh network.

Highbay versions

- STEINEL sensor technology for mounting inside lights or for mounting on the surface of lights
- Applications for offices, commercial properties, public buildings, industry and logistics (room heights of 2 to 14 metres)
- Up to IP65 protection rating
- Light surface-mounting versions with Zhaga base or strands for wiring

HB PIR 3360 NET

A head for heights. Powerful reach. Reliable. Ideal for high ceilings in industrial buildings or commercial properties. For mounting heights of up to 14 m. High-precision 360° infrared sensor. Maximum reach: 18 m. For watching over up to 1000 sq.m.

HB PIR 345 NET

Surveillance at the highest level. Infrared motion detector for indoors, ideal for large heights in depots, high-bay warehouses, machine shops, check-in areas and departure lounges, installation height up to 14 m, detection zone 30 x 4 m (radial).

SENSOTEC Sensor NET

110075223	SENSOTEC Sensor HB PIR 3360 NET Intra
110075224	SENSOTEC Sensor HB PIR 3360 NET Wire
110075225	SENSOTEC Sensor HB PIR 3360 NET Zhaga
110075226	SENSOTEC Sensor HB PIR 345 NET Intra
110075227	SENSOTEC Sensor HB PIR 345 NET Wire
110075228	SENSOTEC Sensor HB PIR 345 NET Zhaga
110075229	SENSOTEC Sensor HF2 NET
110075230	SENSOTEC Sensor PIR NET
110075231	SENSOTEC Extension NET

Sensor technical specifications

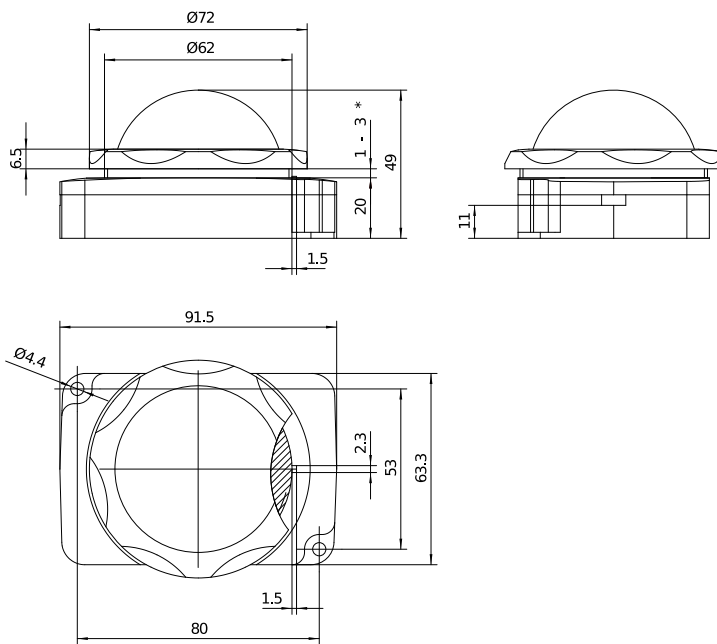
	HB PIR 3360 NET Intra	HB PIR 3360 NET Wire	HB PIR 3360 NET Zhaga
Type	9016	9022	9021
Dimensions	91.5 × 63.3 × 49mm	91.5 × 63.3 × 49mm Connection strands 250 mm (L)	91.5 × 63.3 × 57mm
	3-D data available on request	3-D data available on request	3-D data available on request
Features	Motion detector Light sensor Feedback indicator Configuration interface	Motion detector Light sensor Feedback indicator Configuration interface	Motion detector Light sensor Feedback indicator Configuration interface
Sensor technology	Passive infrared technology	Passive infrared technology	Passive infrared technology
Transmitter power	-	-	-
Transmission frequency	-	-	-
Light measurement range	2 - 2000 lx	2 - 2000 lx	2 - 2000 lx
Mounting height	4.0 – 14.0 m	4.0 – 14.0 m	4.0 – 14.0 m
Optimum mounting height	12.0 m	12.0 m	12.0 m
Reach, radial	Ø 7 m (38 m ²)	Ø 7 m (38 m ²)	Ø 7 m (38 m ²)
Reach, tangential	Ø 18 m (254 m ²)	Ø 18 m (254 m ²)	Ø 18 m (254 m ²)
Connection	0.34 – 0.75 mm ²	Connection strands	Zhaga
IP rating:	IP20 / IP65* * sealed lens	IP65	IP65
Protection class	-	-	-
Temperature range	-20°C to +50°C	-20°C to +50°C	-20°C to +50°C
Interfaces	DALI, Bluetooth	DALI, Bluetooth	DALI, Bluetooth
Approval marks / Conformity	CE	CE	CE
Standards	EN 61347-1 EN 61347-2-11 EN 55015 EN 61547 EN 301 489-1	EN 61347-1 EN 61347-2-11 EN 55015 EN 61547 EN 301 489-1	EN 61347-1 EN 61347-2-11 EN 55015 EN 61547 EN 301 489-1

SENSOTEC Sensor NET

110075223	SENSOTEC Sensor HB PIR 3360 NET Intra
110075224	SENSOTEC Sensor HB PIR 3360 NET Wire
110075225	SENSOTEC Sensor HB PIR 3360 NET Zhaga
110075226	SENSOTEC Sensor HB PIR 345 NET Intra
110075227	SENSOTEC Sensor HB PIR 345 NET Wire
110075228	SENSOTEC Sensor HB PIR 345 NET Zhaga
110075229	SENSOTEC Sensor HF2 NET
110075230	SENSOTEC Sensor PIR NET
110075231	SENSOTEC Extension NET

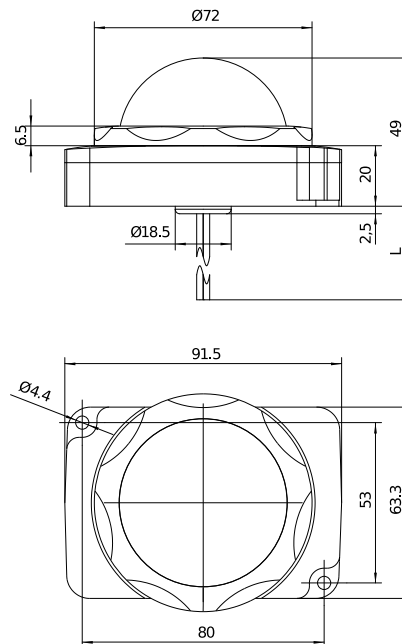
Dimensional drawings

HB PIR 3360 NET Intra



* wall thickness range

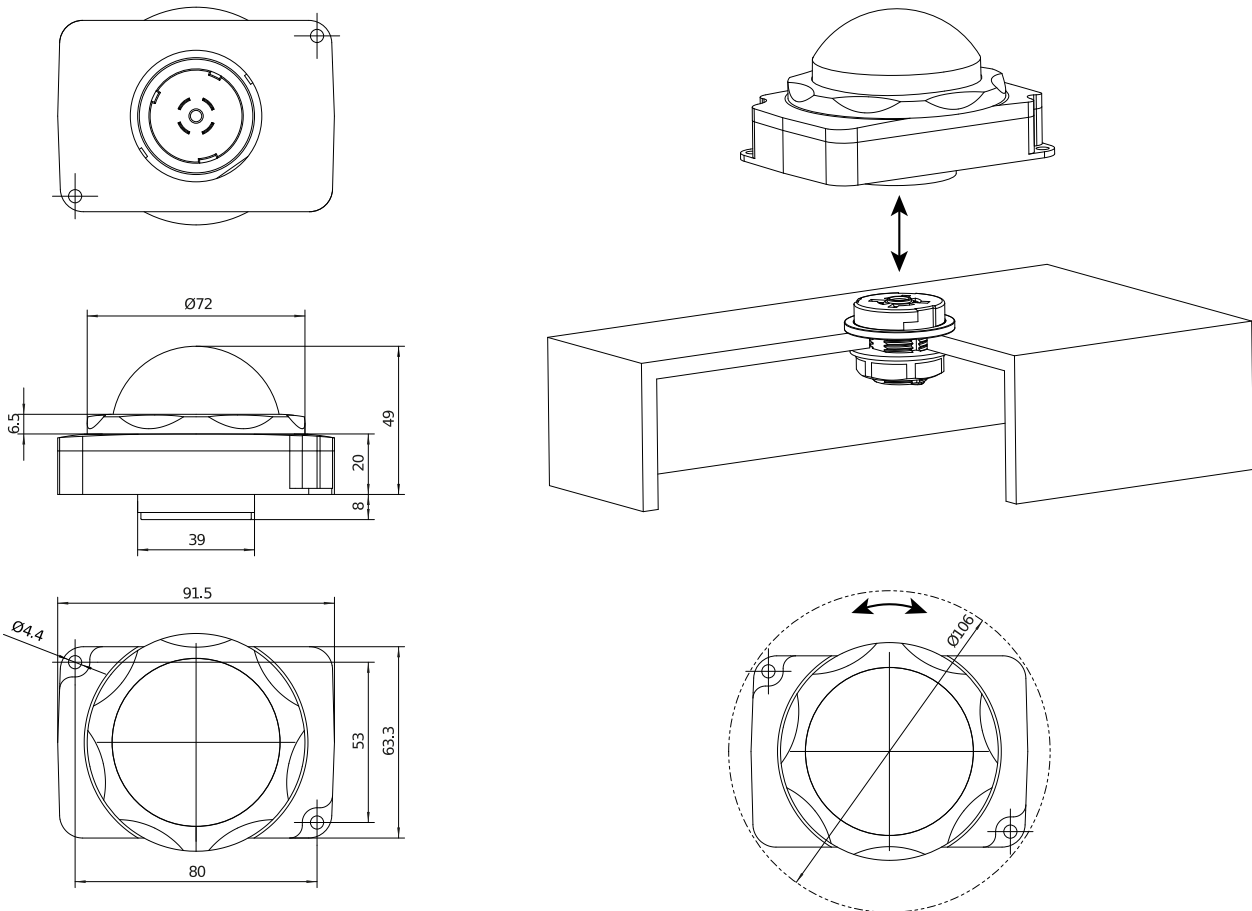
HB PIR 3360 NET Wire



SENSOTEC Sensor NET

110075223	SENSOTEC Sensor HB PIR 3360 NET Intra
110075224	SENSOTEC Sensor HB PIR 3360 NET Wire
110075225	SENSOTEC Sensor HB PIR 3360 NET Zhaga
110075226	SENSOTEC Sensor HB PIR 345 NET Intra
110075227	SENSOTEC Sensor HB PIR 345 NET Wire
110075228	SENSOTEC Sensor HB PIR 345 NET Zhaga
110075229	SENSOTEC Sensor HF2 NET
110075230	SENSOTEC Sensor PIR NET
110075231	SENSOTEC Extension NET

HB PIR 3360 NET Zhaga



Notes: 106mm Ø clearance required for screwing the HB PIR 3360 NET onto the Zhaga base.

SENSOTEC Sensor NET

110075223	SENSOTEC Sensor HB PIR 3360 NET Intra
110075224	SENSOTEC Sensor HB PIR 3360 NET Wire
110075225	SENSOTEC Sensor HB PIR 3360 NET Zhaga
110075226	SENSOTEC Sensor HB PIR 345 NET Intra
110075227	SENSOTEC Sensor HB PIR 345 NET Wire
110075228	SENSOTEC Sensor HB PIR 345 NET Zhaga
110075229	SENSOTEC Sensor HF2 NET
110075230	SENSOTEC Sensor PIR NET
110075231	SENSOTEC Extension NET

Sensor technical specifications

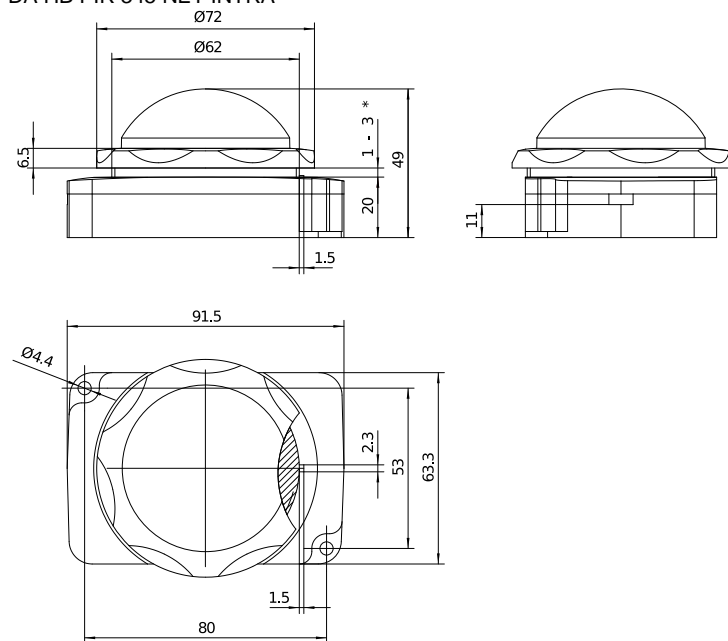
	HB PIR 345 NET Intra	HB PIR 345 NET Wire	HB PIR 345 NET Zhaga
Type	9015	9024	9023
Dimensions	91.5 × 63.3 × 49mm	91.5 × 63.3 × 49mm Connection strands 250 mm (L)	91.5 × 63.3 × 57mm
	3-D data available on request	3-D data available on request	3-D data available on request
Features	Motion detector Light sensor Feedback indicator Configuration interface	Motion detector Light sensor Feedback indicator Configuration interface	Motion detector Light sensor Feedback indicator Configuration interface
Sensor technology	Passive infrared technology	Passive infrared technology	Passive infrared technology
Transmitter power	-	-	-
Transmission frequency	-	-	-
Light measurement range	2 - 2000 lx	2 - 2000 lx	2 - 2000 lx
Mounting height	4.0 – 14.0 m	4.0 – 14.0 m	4.0 – 14.0 m
Optimum mounting height	12.0 m	12.0 m	12.0 m
Reach, radial	30 x 4 m (120 m ²)	30 x 4 m (120 m ²)	30 x 4 m (120 m ²)
Reach, tangential	30 x 4 m (120 m ²)	30 x 4 m (120 m ²)	30 x 4 m (120 m ²)
Connection	0.34 – 0.75 mm ²	Connection strands	Zhaga
IP rating:	IP20 / IP65* * sealed lens	IP65	IP65
Protection class	-	-	-
Temperature range	-20°C to +50°C	-20°C to +50°C	-20°C to +50°C
Interfaces	DALI, Bluetooth	DALI, Bluetooth	DALI, Bluetooth
Approval marks / Conformity	CE	CE	CE
Standards	EN 61347-1 EN 61347-2-11 EN 55015 EN 61547 EN 301 489-1	EN 61347-1 EN 61347-2-11 EN 55015 EN 61547 EN 301 489-1	EN 61347-1 EN 61347-2-11 EN 55015 EN 61547 EN 301 489-1

SENSOTEC Sensor NET

110075223	SENSOTEC Sensor HB PIR 3360 NET Intra
110075224	SENSOTEC Sensor HB PIR 3360 NET Wire
110075225	SENSOTEC Sensor HB PIR 3360 NET Zhaga
110075226	SENSOTEC Sensor HB PIR 345 NET Intra
110075227	SENSOTEC Sensor HB PIR 345 NET Wire
110075228	SENSOTEC Sensor HB PIR 345 NET Zhaga
110075229	SENSOTEC Sensor HF2 NET
110075230	SENSOTEC Sensor PIR NET
110075231	SENSOTEC Extension NET

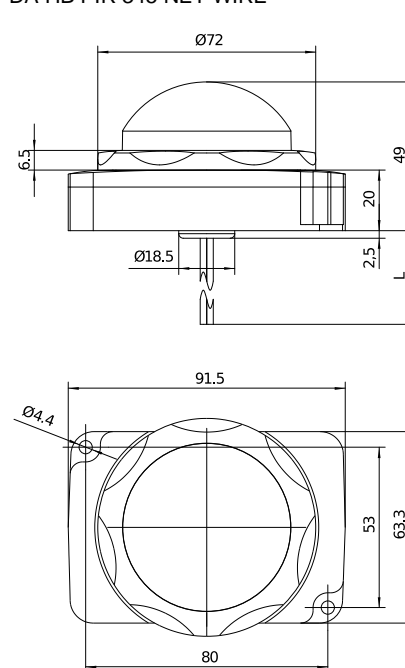
Dimensional drawings

DA HB PIR 345 NET INTRA



* wall thickness range

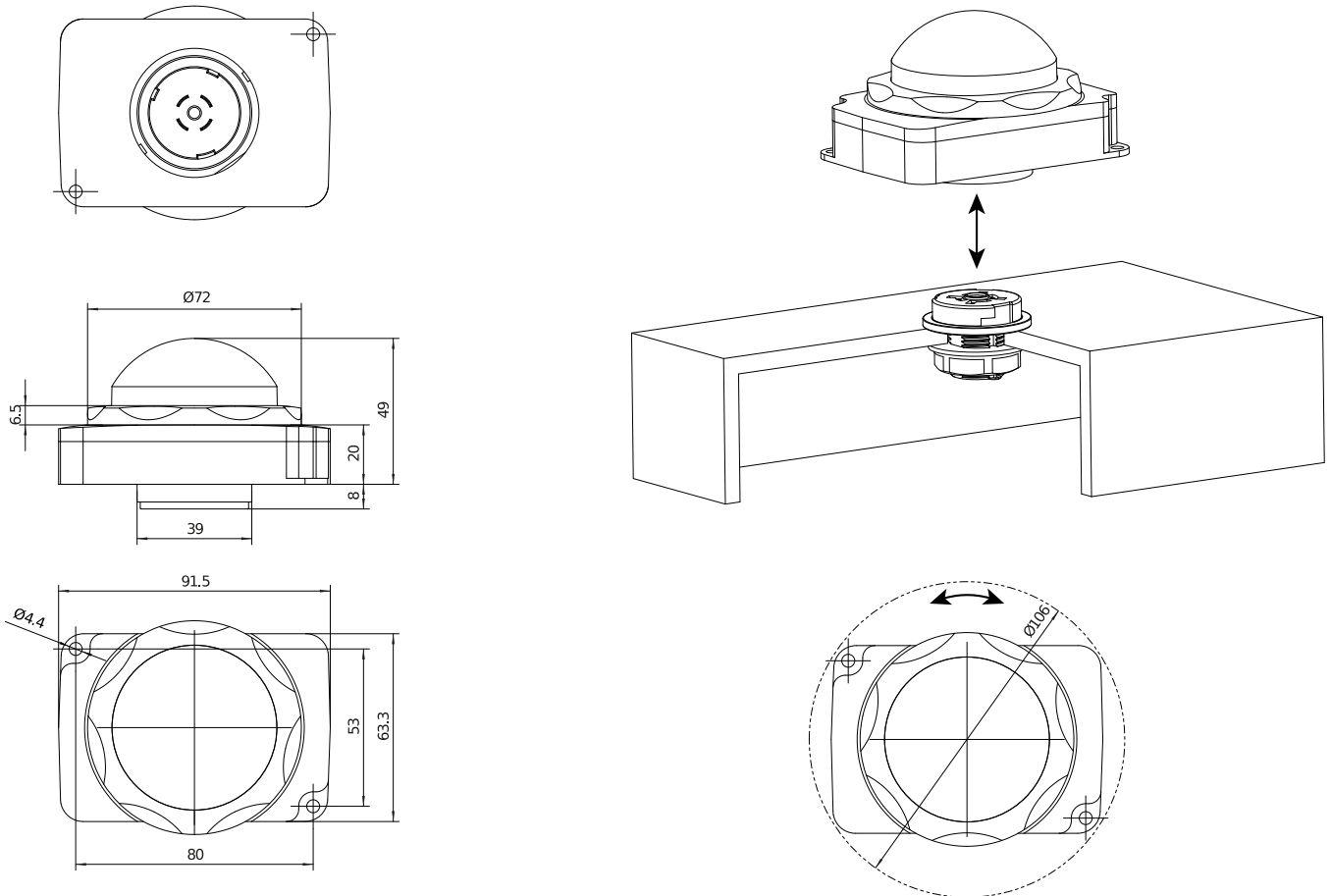
DA HB PIR 345 NET WIRE



SENSOTEC Sensor NET

110075223	SENSOTEC Sensor HB PIR 3360 NET Intra
110075224	SENSOTEC Sensor HB PIR 3360 NET Wire
110075225	SENSOTEC Sensor HB PIR 3360 NET Zhaga
110075226	SENSOTEC Sensor HB PIR 345 NET Intra
110075227	SENSOTEC Sensor HB PIR 345 NET Wire
110075228	SENSOTEC Sensor HB PIR 345 NET Zhaga
110075229	SENSOTEC Sensor HF2 NET
110075230	SENSOTEC Sensor PIR NET
110075231	SENSOTEC Extension NET

HB PIR 345 NET Zhaga



Note: 106mm Ø clearance required for screwing the HB PIR 3360 NET Zhaga onto the Zhaga base.

SENSOTEC Sensor NET

110075223	SENSOTEC Sensor HB PIR 3360 NET Intra
110075224	SENSOTEC Sensor HB PIR 3360 NET Wire
110075225	SENSOTEC Sensor HB PIR 3360 NET Zhaga
110075226	SENSOTEC Sensor HB PIR 345 NET Intra
110075227	SENSOTEC Sensor HB PIR 345 NET Wire
110075228	SENSOTEC Sensor HB PIR 345 NET Zhaga
110075229	SENSOTEC Sensor HF2 NET
110075230	SENSOTEC Sensor PIR NET
110075231	SENSOTEC Extension NET

Sensor technical specifications

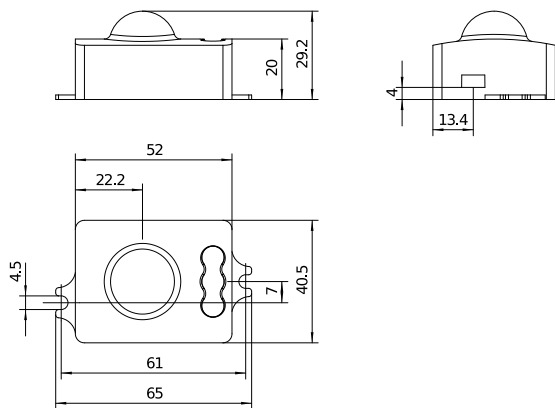
	HF2 NET	PIR NET	Extension NET
Type	9017	9018	9020
Dimensions	52 x 40.5 x 29.2 mm Fixing spacing 61mm 3-D data available on request	66.4 x 20.4 x 18.5mm Hole spacing 35 mm 3-D data available on request	47 x 29 x 20 mm Hole spacing 55 mm 3-D data available on request
Features	Motion detector Light sensor Feedback indicator Configuration interface	Motion detector Light sensor Feedback indicator Configuration interface	- - Feedback indicator Configuration interface
Sensor technology	High-frequency technology Rod aerial	Passive infrared technology	-
Transmitter power	1 - 2 mW	-	-
Transmission frequency	5.8GHz	-	-
Light measurement range	2 - 2000 lx	2 - 2000 lx	2 - 2000 lx
Angle of coverage	360° with 160° angle of aperture		
Mounting height	2.5 – 3.5 m	2.0 – 5.0 m	
Optimum mounting height	2.8 m	2.8 m	
Reach, radial	Ø 8 m (50 m ²)	4 x 4m (16 m ²)	
Reach, tangential	Ø 8 m (50 m ²)	6 x 6m (36 m ²)	
Connection	0.34 – 0.75 mm ²	0.34 – 0.75 mm ²	0.34 – 0.75 mm ²
IP rating:	IP20	IP20	IP20
Protection class			
Temperature range	-20°C to +60°C	-25°C to +55°C	-25°C to +60°C
Interfaces	DALI, Bluetooth	DALI, Bluetooth	DALI, Bluetooth
Approval marks / Conformity	CE	CE	CE
Standards	EN 61347-1 EN 61347-2-11 EN 55015 EN 61547 EN 301 489-1 EN 300 440	EN 61347-1 EN 61347-2-11 EN 55015 EN 61547 EN 301 489-1	EN 61347-1 EN 61347-2-11 EN 55015 EN 61547 EN 301 489-1

SENSOTEC Sensor NET

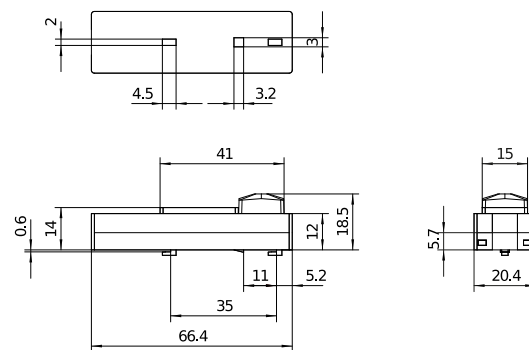
110075223	SENSOTEC Sensor HB PIR 3360 NET Intra
110075224	SENSOTEC Sensor HB PIR 3360 NET Wire
110075225	SENSOTEC Sensor HB PIR 3360 NET Zhaga
110075226	SENSOTEC Sensor HB PIR 345 NET Intra
110075227	SENSOTEC Sensor HB PIR 345 NET Wire
110075228	SENSOTEC Sensor HB PIR 345 NET Zhaga
110075229	SENSOTEC Sensor HF2 NET
110075230	SENSOTEC Sensor PIR NET
110075231	SENSOTEC Extension NET

Dimensional drawings

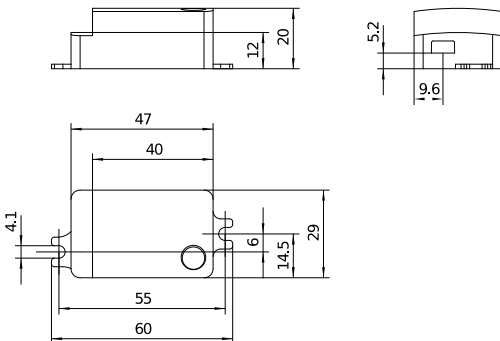
HF2 NET



PIR NET



EXTENSION NET

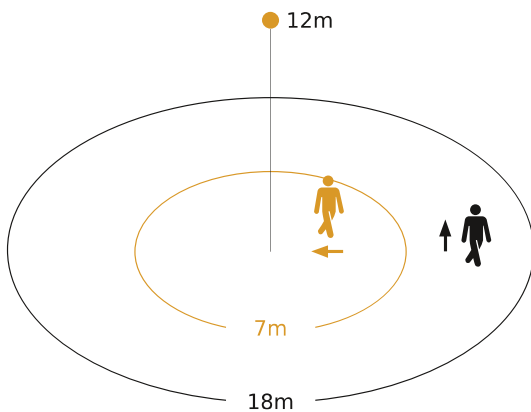


SENSOTEC Sensor NET

110075223	SENSOTEC Sensor HB PIR 3360 NET Intra
110075224	SENSOTEC Sensor HB PIR 3360 NET Wire
110075225	SENSOTEC Sensor HB PIR 3360 NET Zhaga
110075226	SENSOTEC Sensor HB PIR 345 NET Intra
110075227	SENSOTEC Sensor HB PIR 345 NET Wire
110075228	SENSOTEC Sensor HB PIR 345 NET Zhaga
110075229	SENSOTEC Sensor HF2 NET
110075230	SENSOTEC Sensor PIR NET
110075231	SENSOTEC Extension NET

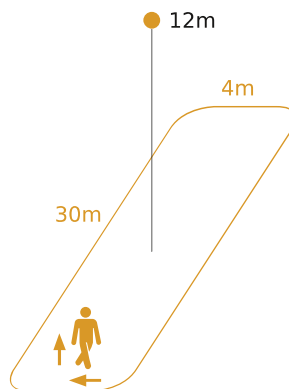
Sensor detection zones

HB PIR 3360 NET



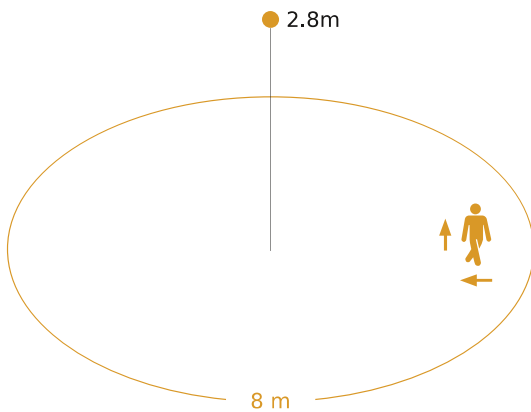
Possible mounting height: 4.00 m – 14.00m
 Orange: radial
 Black: tangential

HB PIR 345 NET



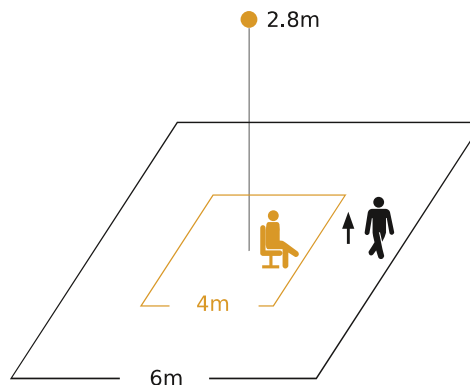
Possible mounting height: 4.00 m – 14.00m
 Orange: radial and tangential

HF2 NET



Possible mounting height 2.5 m – 3.50m
 Orange: radial and tangential

PIR NET



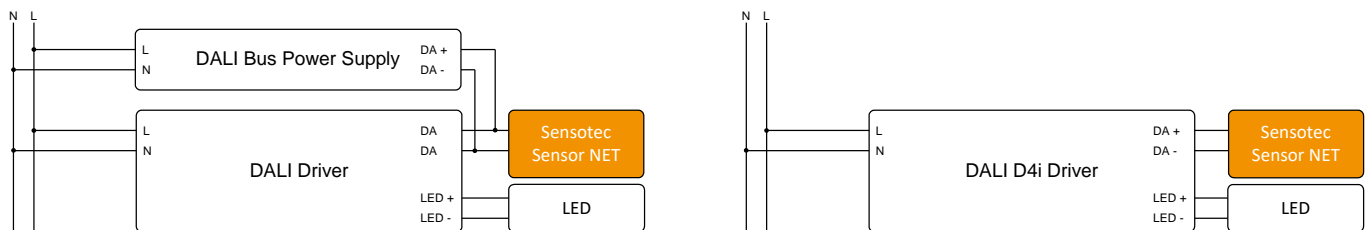
Possible mounting height 2.00m - 5.00m
 Orange: presence
 Black: tangential

SENSOTEC Sensor NET

110075223	SENSOTEC Sensor HB PIR 3360 NET Intra
110075224	SENSOTEC Sensor HB PIR 3360 NET Wire
110075225	SENSOTEC Sensor HB PIR 3360 NET Zhaga
110075226	SENSOTEC Sensor HB PIR 345 NET Intra
110075227	SENSOTEC Sensor HB PIR 345 NET Wire
110075228	SENSOTEC Sensor HB PIR 345 NET Zhaga
110075229	SENSOTEC Sensor HF2 NET
110075230	SENSOTEC Sensor PIR NET
110075231	SENSOTEC Extension NET

Circuit diagram

A wiring example with DALI control gear is shown below. The DALI control gear must support at least Part 250 (Integrated bus power supply) and, by way of option, Part 252 (Energy reporting) and Part 253 (Diagnostics & maintenance).



Installation advantages

- Easily clips onto the enclosure (PIR NET)
- Easy to install by means of Zhaga connector system (Zhaga)
- Easily screws into enclosure
- Connection via a 2-core terminal (Intra)
- Extremely compact size
- The sensor is supplied with power via the two-core DALI bus line
- No plug polarity to observe

Installation advice - HB PIR 3360 / 345 NET

- Suitable for a material thickness of 1 - 3 mm
- Hole diameter for lens 62.5 to 63mm
- Alignment is done by mechanical positioning (see dimensional drawings)

Installation advice - HF2 NET

- For indoor use only.
- Pay attention to luminaire materials (interference, reflections, attenuation).
- The connected ECG must not exceed the specifications at any time.
- Design-in support from STEINEL specialists.

Installation advice - PIR NET

- Provide an aperture 15 mm wide x 41 mm long
- Suitable for a material thickness of 0.5 - 2 mm
- The sensor must have an unobstructed line of vision to the object being detected

SENSOTEC Sensor NET

110075223	SENSOTEC Sensor HB PIR 3360 NET Intra
110075224	SENSOTEC Sensor HB PIR 3360 NET Wire
110075225	SENSOTEC Sensor HB PIR 3360 NET Zhaga
110075226	SENSOTEC Sensor HB PIR 345 NET Intra
110075227	SENSOTEC Sensor HB PIR 345 NET Wire
110075228	SENSOTEC Sensor HB PIR 345 NET Zhaga
110075229	SENSOTEC Sensor HF2 NET
110075230	SENSOTEC Sensor PIR NET
110075231	SENSOTEC Extension NET

Safety precautions

- Electrical devices must only be assembled and installed by qualified electricians.
- Fire hazard. The maximum permissible load must not be exceeded.
- Risk of electric shock. Disconnect before attempting work on the unit or load. Take into account all circuit breakers supplying dangerous voltages to the unit or load.
- Risk of electric shock. Before installing the sensor, check the enclosure to make sure it is not damaged. Never open the enclosure.
- The sensor is not suitable for use in burglar alarm systems or other alarm equipment.

Operation and configuration

The sensors are commissioned and configured using any Bluetooth mesh compatible app. Or the Silvair app recommended by us.



Silvair
Lighting commissioning app

Link: <https://apps.apple.com/us/app/silvair/id1281447717>



The SN-204 Silvair Commissioning Quick Guide is recommended as an introduction. (<https://silvair.com/resources/product-documents/>)

Additional product information

- The device could be reset to factory settings by power cycling 5 times. The device should be switched off for at least 5s and switched on for a maximum of 10s. After a successful reset, the feedback LED flashes fast.
- The feedback LED indicates the following: Fast blinking: Not commissioned. Slow blinking: Connected to a network.

Conformity / marks of conformity



Note

As attenuation and reflections can cause a high-frequency sensor to behave differently in any luminaire, we cannot accept any liability for the sensor not working as expected in the particular luminaire it is being used in. Accreditation can be provided by STEINEL. Please contact our OEM Account Manager to find out what assistance we can give you in designing the sensor module into a luminaire. The customer must also guarantee and take responsibility for the way in which the other components behave in the luminaire (lamp, ECG etc.).

This product data sheet provides no guarantee of qualities within the meaning of the statutory warranty provisions for the product described.