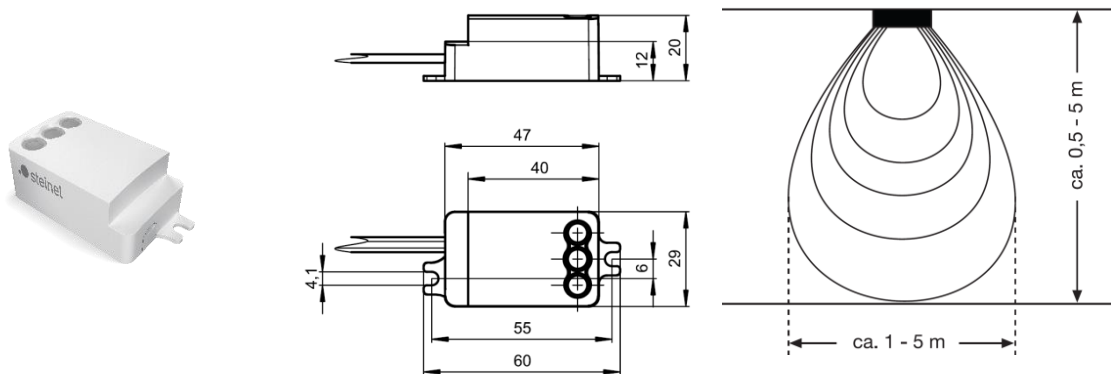


## ED HF1

110046814 Sensor ED HF1  
 110046819 Control CD DALI-2  
 110046818 Control CD COM1



Designed for recessed applications, the sensor modules are equipped with the latest high-frequency sensor technology from STEINEL and ensure that light is switched on and off automatically according to ambient brightness and detected environment. Thanks to its flat patch antenna, the ED HF1 is particularly space-saving and is used whenever there is little room inside a luminaire for sensor technology. Detection is through thin, non-metallic materials, so the modules can be easily mounted inside luminaires, mirror cabinets, etc. The sensor communicates with the controller via an interface and is automatically recognized by the controller.



### Technical data sensor ED HF1

Type	9004
Dimensions	47 × 29 × 20 mm Hole spacing 55 mm Cable length 450 mm
Features	Motion detector Light sensor Feedback indicator for configuration interface
Sensor technology	High-frequency technology Patch aerial
Transmitter power	1 - 2 mW
Transmission frequency	5.8 GHz
Light measurement range	2 - 2000 lx
Angle of coverage	360° with 110° angle of aperture
Detection zone for movement	At a mounting height of 5 m: max. Ø 5 m
IP rating:	IP20
Temperature range	-20°C to +60°C
Conformity	CE

### Downloads

[Data sheet Control](#)

[3D data](#)

### ED HF1

110046814 Sensor ED HF1  
 110046819 Control CD DALI-2  
 110046818 Control CD COM1



#### Technical data controller

Sensor connection	Control CD DALI-2	Control CD COM1
Type	9002	9001
		
Dimensions	180 x 29.2 x 23.5 mm, hole spacing 170 mm	
Power supply	220 - 240 VAC, 50 / 60 Hz	
Power consumption	< 300 mW, without load	
Remote controls supported*	SENSOTEC Remote Control RCS2 (service remote control). RC4 (user remote control)	
Reach setting ranges**	0 - 100%, in 10% steps	
Main light stay ON time	30 sec, 5 min, 15 min, 30 min	
Set brightness thresholds	4 stages	
Set brightness settings	4 stages	
Teach function	Provided	
Daylight operation	Provided	
Manual override 4 h ON/OFF	Provided	
Switching load at L´	max. 1000 W	
IP rating	IP20	
Protection class	I	
Temperature range	-30°C to +65°C	
Conformity	CE	
connection SS	Master/master IN circuit	
DALI-2 connection MM	Master/master OUT circuit Broadcast electronic-ballast control	
Supply current DALI-2	30mA guaranteed (15 ballasts), max. 250mA	
Basic light level setting ranges***	0 - 45%, in 5% steps	
Main light level setting ranges	55 - 100%, in 5% steps	
Basic light stay ON time	1 min, 5 min, 10 min, all the time	
Basic light level setting ranges***	0 - 45%, in 5% steps	
Parameter sync	Provided	
Luminaire grouping	Provided	
Constant-lighting control	Provided	

All statements without guarantee.