

Lighting control sensors with range of variants for installation in luminaires

SENSOTEC Portfolio

Existing Lighting Control Systems

Networked Applications

Standalone Solutions



Use case

The SENSOTEC portfolio offers luminaire manufacturers a flexible and easy-to-install solution for giving their luminaires precise sensor intelligence without sacrificing the design.

Your luminaire



The basis for installation is your newly developed or existing luminaires.

Our sensor



Our sensors are available with various installation aids, connection options and protocols.

Your solution



Your luminaire is now ready for your use case.



Product families

We offer miniature infrared and high-frequency sensor modules equipped with sophisticated lens or antenna technology.



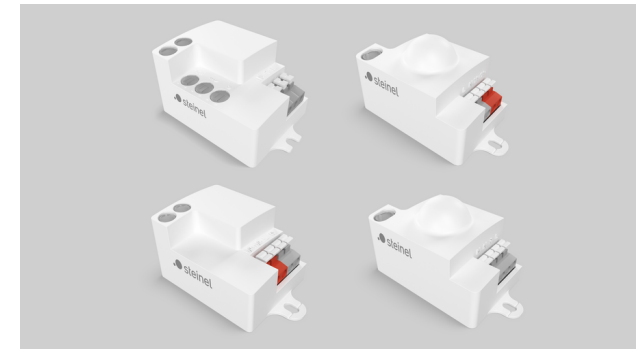
NET wireless Mesh

Our cutting-edge sensors connect wirelessly via a Bluetooth mesh network, can be configured via app and control LED drivers via the DALI bus. They offer easy, flexible, fast installation.



IPD (input device)

The IPD sensors are the pared-down versions of the NET products with just the sensor advantages. They function as DALI-2 input devices and have no wireless connection.



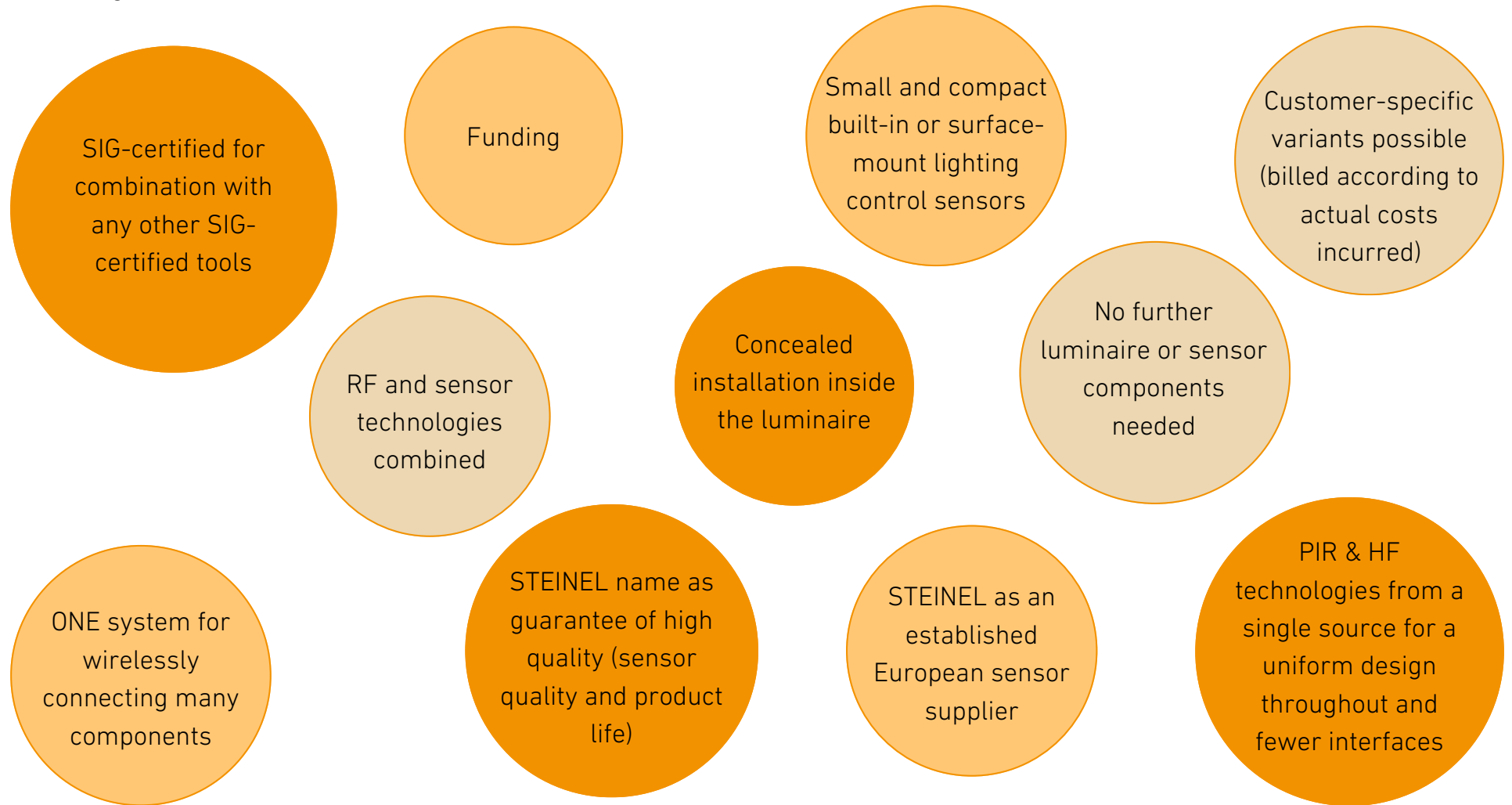
Monoblock

Miniature high-frequency sensor modules equipped with clever antenna technology control the lighting as application controllers.



Reasons to choose STEINEL sensors

STEINEL sensors are known for their outstanding quality. Using our sensors brings with it a wide array of advantages and benefits.



NET and IPD product families

The IPD product family sensibly rounds off the SENSOTEC portfolio. Unlike the NET sensors, which can be used as single-master application controllers and have Bluetooth mesh networking capability, the IPD sensors function as standardised DALI-2 input devices.

With each of the two variants, you profit from the established STEINEL high-frequency and passive infrared technologies as well as simple, flexible and fast installation thanks to a small and compact construction.

NET sensors

The NET sensors serve as application controllers and can be configured and commissioned via a Bluetooth mesh - compatible app.



IPD sensors

The IPD sensors function as standardised DALI-2 input devices and have no wireless connection.



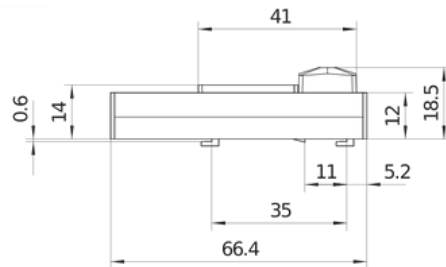
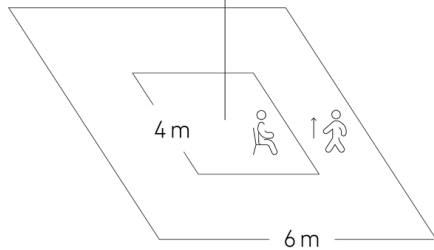
NET and IPD sensors

PIR

360° PIR sensor with a presence detection area of 4x4m and a motion detection area of 6x6m.



Optimum mounting height 2.8 m

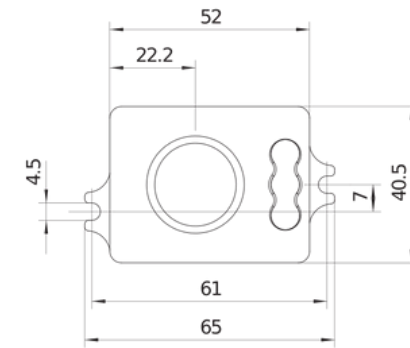
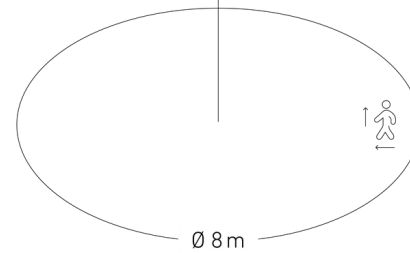


HF2

Detection through glass and non-metallic materials easily possible.

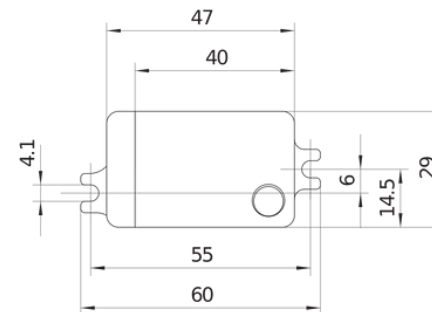


Optimum mounting height 2.8 m



Extension NET

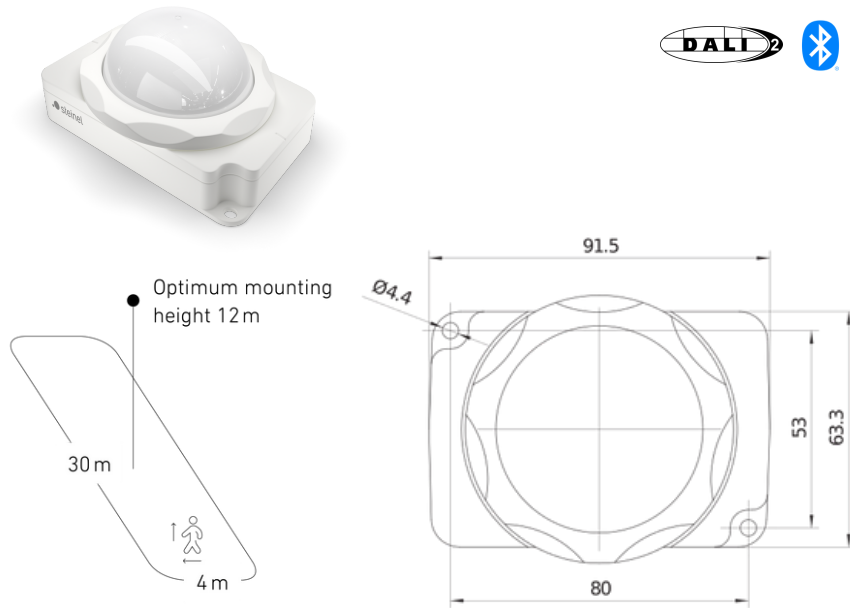
The Extension NET is used to extend the Bluetooth Mesh network and is intended for luminaire without sensors.



NET and IPD sensors

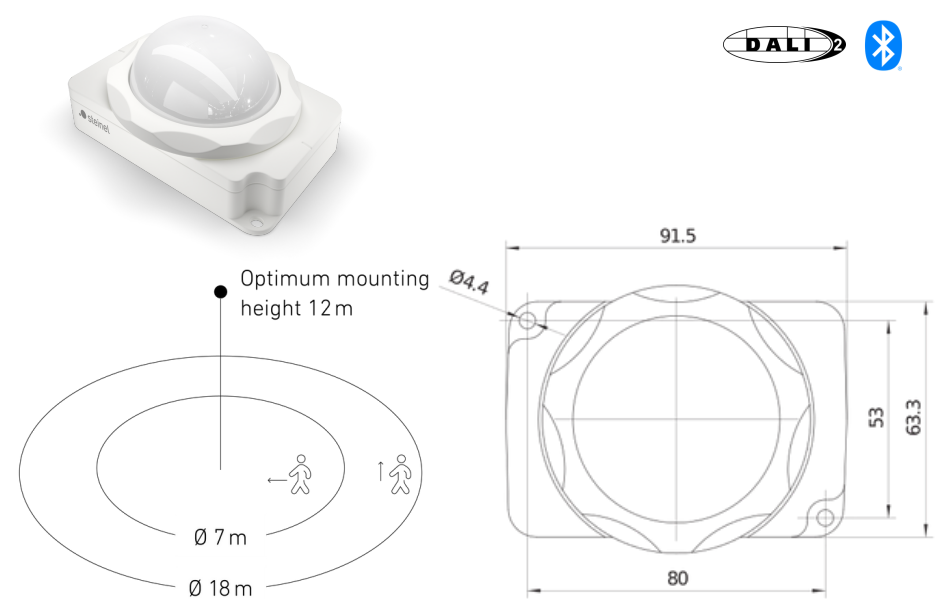
PIR 345

Infrared sensor for high-bay applications for narrow, long detection zones.



PIR 3360

Infrared sensor for high-bay applications for a circular detection zone.



Connection variants

Each of the two highbay-sensors is available in an 'Intra' version for integration into the luminaire as well as a 'Zhaga' version with a Zhaga socket (threaded mounting ring) or a 'Wire' version (wires for connection) for surface-mounting on the luminaire.

Intra



Zhaga



Wire

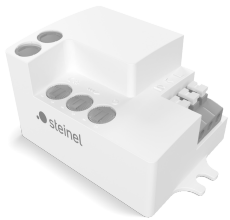


Monoblock sensors

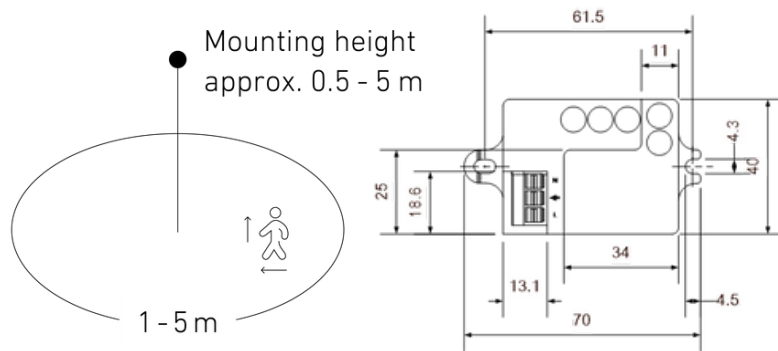
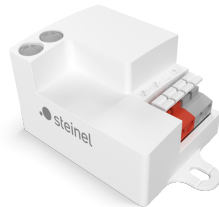
Everything you need for your own sensor light is contained in a module. The Monoblock sensors with the latest HF technology from STEINEL come with integrated control units for COM1 (on/off) and DALI-2.

Patch antenna

MB HF1 COM1



MB HF1 DALI-2

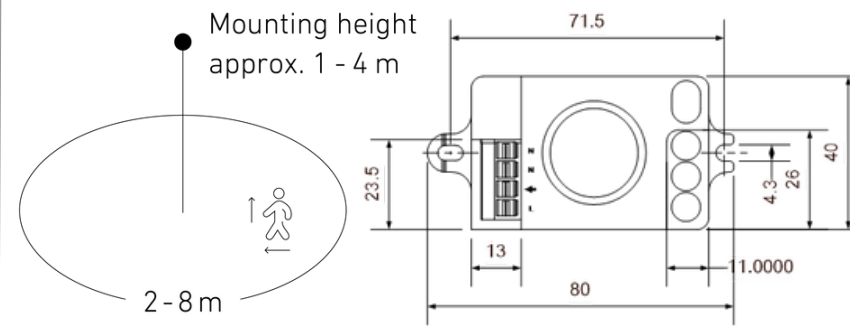
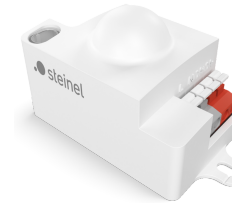


Pin antenna

MB HF2 COM1



MB HF2 DALI-2



Accessories

Service remote control



User remote control

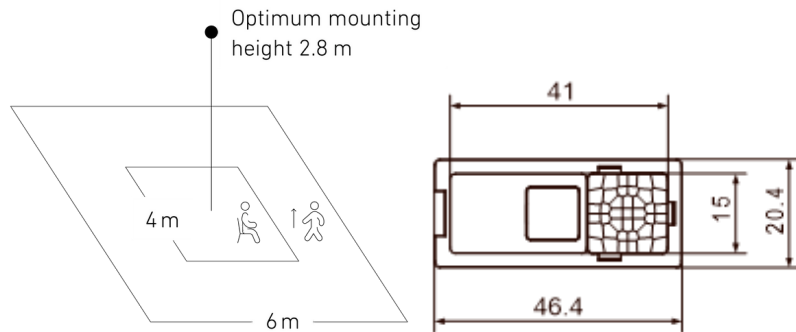


Partnership for SENSOTEC sensors

We offer two of our most successful sensors with SR technology for direct communication with the Philips Xitanium interface.

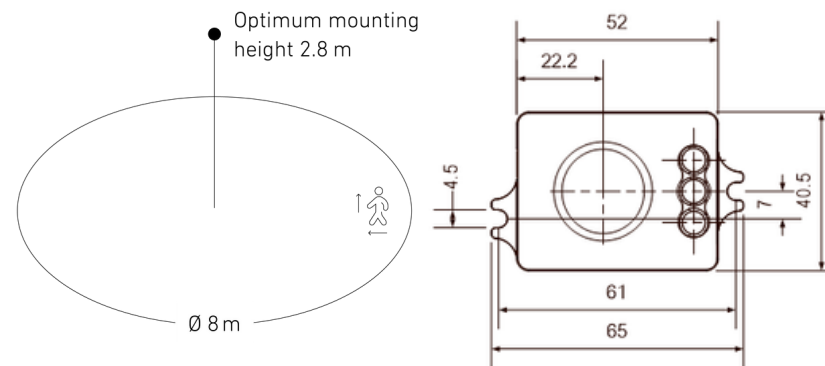
PIR

Small. Flat. Compact. Unobtrusive presence detector. 360° passive infrared sensor with a detection area of 4x4m for presence and radial motion and 6x6m for tangential motion. With patented fresnel lens.



HF2

The HF2 is a radar sensor designed for built-in applications. Their ability to sense through glass and non-metallic materials makes these modules ideal for use inside luminaires.



Accessories

Service remote control



User remote control



Your application isn't covered?

As an OEM specialist with lengthy experience in product development and proven expertise in sensors and communication, we work with you in a joint development project to adapt our sensor specifications precisely to your requirements.

Whether you need individual modules or the entire development and manufacturing package, we are certain to find the right solution for your project.

Contact us – we would be happy to advise you!



SENSOTEC in operation

A convincing comprehensive package

- Precise sensors
- Easy commissioning
- Sustainable solution
- Energy and cost savings
- Simple operation
- Online data read-out

There are virtually no limits to the application.

To the reference



Parking garage



Warehouse



Office building

Interested?

To the portfolio



Contact

+41 (0) 55 418 21 11
sensotec@steinel.ch

We look forward to hearing from you!

